



Ningbo **Technic Lighting** Co., Ltd.

**2024**

**LED POWER SUPPLY  
& CONTROL SERIES**





Ningbo Technic Lighting Co., Ltd, founded in 2009, specialize in LED lighting solution with innovation, design and production for global retailer and shopping environment.

We focus on design and manufacture of furniture&display LED, shelves lighting, showcase lighting and general commercial LEDs. Start from 2004, we own precision and injection tooling company, mainly provide support for fast development and good quality for innovative and new products. We own 35 experienced engineers in R&D support from optical, mechanical, electrical, thermal and power, prototype and global certificate in LED industry.

With a construction area of 30,000 square meters, automatic production line, advanced production facility, and mass production capability. The whole production managed under the ERP controls from production plan to finalized product and shipment. With production automatically controlled and superior quality standard, excute 100% quality control and 100% inspection during the whole QM system in whole production process.

30,000  
m<sup>2</sup>

SQUARE METERS

35+

EXPERIENCED  
ENGINEERS

100%

QUALITY CONTROL &  
INSPECTION DURING

≥300

CURRENT PATENT

## HIGHLY SUPPORT CUSTOMIZED LIGHTING SOLUTION

Throughout our whole team endeavor in the past 17 years, Ningbo Technic Lighting Co. Has become a reliable partner and recommended supplier for development and production of lighting fixture as sale support material for global retailer market. We established non-disclosure system with partners, highly support customized lighting solution for rollout program that ensure most valuable and convenient serve for worldwide clients.

## PROVIDE HIGH EFFICIENCY LED SOLUTION

Perfect LED solution as visual element creates greatly help for brand value and culture, attract consumers and instruct consumers choose what they want, as well as build amazing shopping environment. We provide high efficiency LED solution that brings energy saving to reduce maintenance cost for merchandisers.





# DEVELOPMENT HISTORY



Setup strategic partner with Hettich support for LED cabinet and furniture lightings

## 2005

## 2004

HENGJIE start furniture lighting

Recognized as national high-Tech-enterprise

## 2012

## 2009

NINGBO TECHNIC LIGHTING setup  
--LED driver and Control system

Tooling company setup for precision mould & CNC

## 2015

## 2014

FUCHENG LIGHTING merge to Hengjie, enlarge the business capability

Move to new factory  
Enlarged to 30000m2

## 2020

## 2018

NingBo R&D setup  
Driver division build develop

Recognized as the high-tech enterprise R&D center

## 2023

## 2022

Award as NingBo 5 star management enterprise



- **COMPLETED PRODUCTION PROCESS**

Completed production process internally support from tooling, injection, hardware, riveting, glue, SMT, electrical and assembly, all finished and supervised under total quality management.

- **FAST RESPONSE**

Provide one stop LED solution, and originally produced at our own factory with customized, professional serve. Fast response is the key advantage to satisfy our partners.

- **PROVIDE WHOLE SYSTEM**

Provide the whole lighting system, that is able to integrate power supply, intelligent control, LED connecting into lighting fixtures.

- **HIGH EFFICIENCY POWER SUPPLY AND INTELLIGENT SMART CONTROLLER**

Capability of design and produce high efficiency power supply and intelligent smart controller is the core technology and make competitive in the market, that finally contribute to all clients.



## TECHNICAL RESEARCH & DEVELOPMENT

R&D Team specialized in the latest technology in LED lighting industry.  
Design and develop capabilities for power and controllers and lighting fixtures.  
Engineering team from power source, optic, electronics, mechanical, thermal etc engineers.



## TECHNICAL QUALITY & TESTING

UL/ETL/VDE/CE/ERP/BS

ISO and UL QMS certified. Quality control running through whole process from pre-design, plan, process and production 100% checking and 100% aging test for all products.



*Focusing On Customization*



# CATALOGUE

LED

POWER  
SUPPLY

&

CONTROL  
SERIES

NINGBO TECHNIC LIGHTING CO., LTD

## LED Power Supply

---

Advance series	13-26
Standard series	27-38
Basic series	39-42
Plug-In series	43-44
US series	45-62
Led power supply list	63-64

## Control Series

---

Motion controller	67-70
Touchless controller	71-74
Touch controller	75-77
Multifunctional controller	78-80
Wireless controller	81-88
Other - duplicator	89
Wireless Remote Switch & Sensor	90-93
Controller matching list	94

## Connecting Series

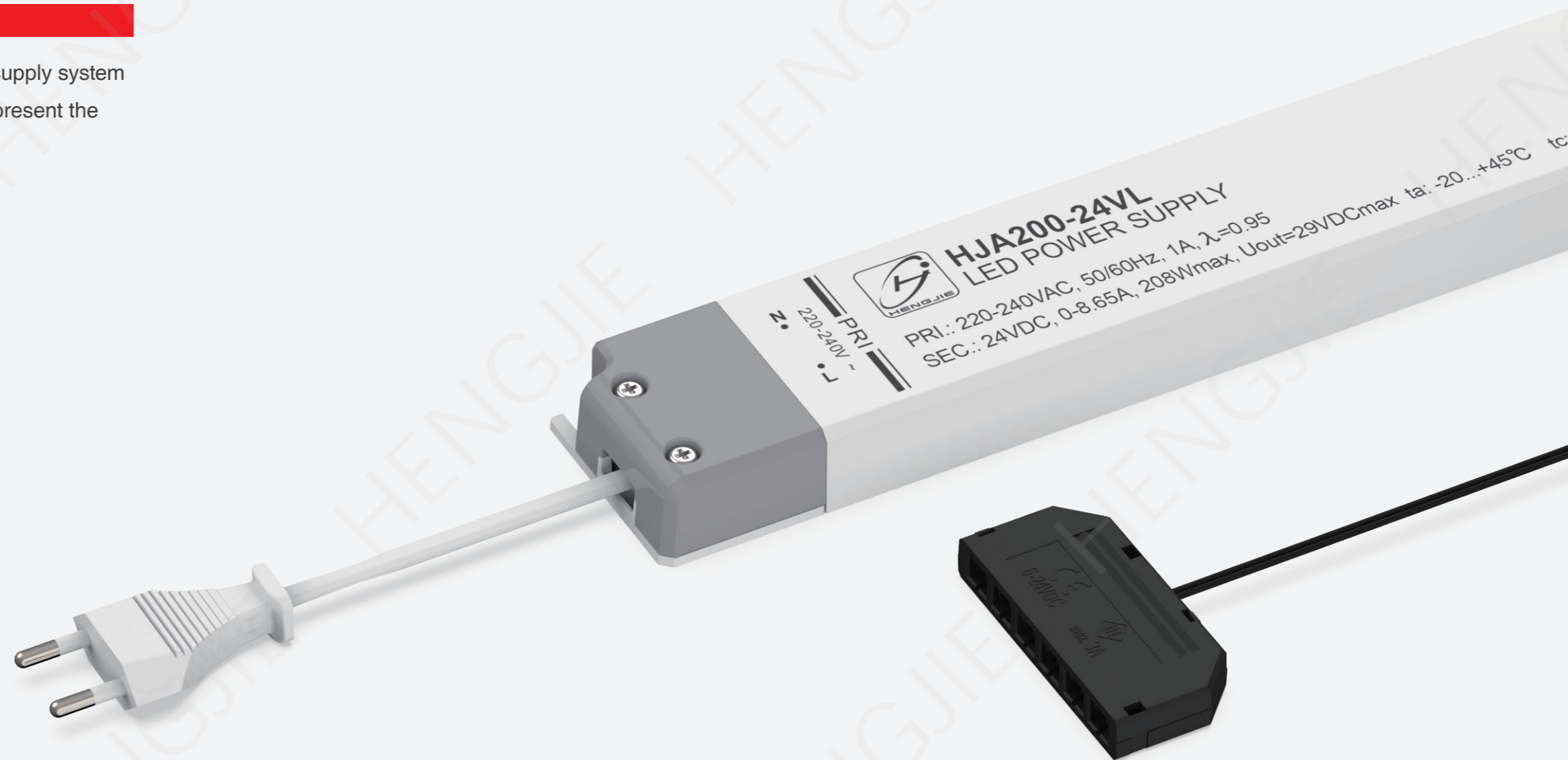
---

Connecting	97-104
------------	--------



# LED Power Supply

The super slim driver series enable the power supply system being invisible, and save more space to better present the beauty of the cabinets.

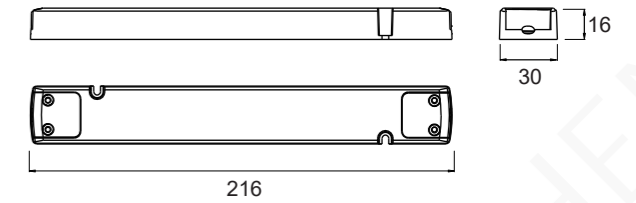
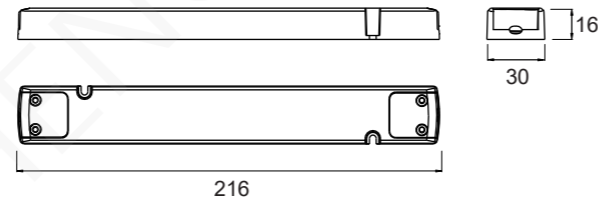


P



**ADVANCE SERIES**  
Linear constant voltage output

**ADVANCE SERIES**  
Linear constant voltage output



**Product Description**

- Independent power supply for constant voltage LED lamp
- Terminal block for quick connection
- Class II protection against electric shock for direct or indirect contact
- Super thin and shortest size design
- Driver can be secured with slot for screws
- Fast start-up time  $\leq 0.5s$ , SELV output
- Compliance to ERP directive
- Noise isolation technology
- Suitable for low voltage controller of different frequency
- Slim demmension for narrow areas such cabinets
- Protections:
  - against open and short circuits
  - against overheating
  - against overloads
- 5-year warranty

**Product Description**

- Independent power supply for constant voltage LED lamp
- Terminal block for quick connection
- Class II protection against electric shock for direct or indirect contact
- Super thin and shortest size design
- Driver can be secured with slot for screws
- Fast start-up time  $\leq 0.5s$ , SELV output
- Compliance to ERP directive
- Noise isolation technology
- Suitable for low voltage controller of different frequency
- Slim demmension for narrow areas such cabinets
- Protections:
  - against open and short circuits
  - against overheating
  - against overloads
- 5-year warranty

**Safety & EMC Standard**

- Safety According to EN 61347-1, EN 61347-2-13
- EMI According to EN 55015
- EMS According to EN 61000-3-2, EN 61000-3-3, EN 61547
- EMF According to EN62493-2010
- ERP According to COMMISSION REGULATION (EU) 2019/2020



AC inlet Optional

**Safety & EMC Standard**

- Safety According to EN 61347-1, EN 61347-2-13
- EMI According to EN 55015
- EMS According to EN 61000-3-2, EN 61000-3-3, EN 61547
- EMF According to EN62493-2010
- ERP According to COMMISSION REGULATION (EU) 2019/2020



AC inlet Optional

**Technic Data**

Item code	Rated input	PF	DF	No load power consumption	Output	Output power range	Tolerance	Efficiency	ta	tc	Size (LxWxH)	Approval
HJA30-12VL	AC220-240V	0.95	0.95	$\leq 0.5W$	12VDC	0-30W	+/-5%	84.0%	-20...+50°C	90°C	216x30x16	ENEC TUV
HJA30-24VL	AC220-240V	0.95	0.95	$\leq 0.5W$	24VDC	0-30W	+/-5%	85.0%	-20...+50°C	90°C	216x30x16	ENEC TUV

\* Measured at AC 230V and full load.



**Technic Data**

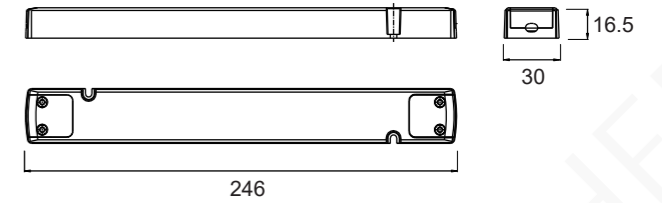
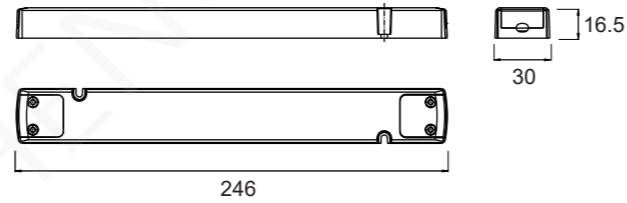
Item code	Rated input	PF	DF	No load power consumption	Output	Output power range	Tolerance	Efficiency	ta	tc	Size (LxWxH)	Approval
HJA45-12VL	AC220-240V	0.95	0.95	$\leq 0.5W$	12VDC	0-45W	+/-5%	86.5%	-20...+45°C	90°C	216x30x16	ENEC TUV
HJA45-24VL	AC220-240V	0.95	0.95	$\leq 0.5W$	24VDC	0-45W	+/-5%	87.0%	-20...+45°C	90°C	216x30x16	ENEC TUV

\* Measured at AC 230V and full load.



**ADVANCE SERIES**  
Linear constant voltage output

**ADVANCE SERIES**  
Linear constant voltage output



**Product Description**

- Independent power supply for constant voltage LED lamp
- Terminal block for quick connection
- Class II protection against electric shock for direct or indirect contact
- Super thin and shortest size design
- Driver can be secured with slot for screws
- Fast start-up time ≤0.5s, SELV output
- Compliance to ERP directive
- Noise isolation technology
- Suitable for low voltage controller of different frequency
- Slim demmension for narrow areas such cabinets
- Protections:
  - against open and short circuits
  - against overheating
  - against overloads
- 5-year warranty

**Safety & EMC Standard**

- Safety According to EN 61347-1, EN 61347-2-13 UL 1310 UL 8750
- EMI According to EN 55015 FCC part15B
- EMS According to EN 61000-3-2, EN 61000-3-3, EN 61547
- EMF According to EN62493-2010
- ERP According to COMMISSION REGULATION (EU) 2019/2020



AC inlet Optional

**Technic Data**

Item code	Rated input	PF	DF	No load power consumption	Output	Output power range	Tolerance	Efficiency	ta	tc	Size (L×W×H)	Approval
HJA60-12VL	AC 220-240V	0.95	0.95	≤0.5W	12VDC	0-60W	+/-5%	91.0%	-20...+50°C	90°C	246×30×16.5	ENEC TUV
HJA60-24VL	AC 220-240V	0.95	0.95	≤0.5W	24VDC	0-60W	+/-5%	92.0%	-20...+50°C	90°C	246×30×16.5	ENEC TUV
HJA30-12VL(UN)	AC 120V/220-240V	0.95	0.95	≤0.5W	12VDC	0-30W	+/-5%	86.0%	-20...+45°C	90°C	246×30×16.5	UL ENEC pending
HJA30-24VL(UN)	AC 120V/220-240V	0.95	0.95	≤0.5W	24VDC	0-30W	+/-5%	86.0%	-20...+45°C	90°C	246×30×16.5	UL ENEC pending

\* Measured at AC 230V and full load.



**Product Description**

- Independent power supply for constant voltage LED lamp
- Terminal block for quick connection
- Class II protection against electric shock for direct or indirect contact
- Super thin and shortest size design
- Driver can be secured with slot for screws
- Fast start-up time ≤0.5s, SELV output
- Compliance to ERP directive
- Noise isolation technology
- Suitable for low voltage controller of different frequency
- Slim demmension for narrow areas such cabinets
- Protections:
  - against open and short circuits
  - against overheating
  - against overloads
- 5-year warranty

**Safety & EMC Standard**

- Safety According to EN 61347-1, EN 61347-2-13
- EMI According to EN 55015
- EMS According to EN 61000-3-2, EN 61000-3-3, EN 61547
- EMF According to EN62493-2010
- ERP According to COMMISSION REGULATION (EU) 2019/2020

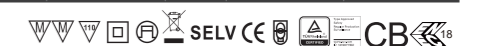


AC inlet Optional

**Technic Data**

Item code	Rated input	PF	DF	No load power consumption	Output	Output power range	Tolerance	Efficiency	ta	tc	Size (L×W×H)	Approval
HJA75-12VL	AC220-240V	0.95	0.95	≤0.5W	12VDC	0-75W	+/-5%	90.6%	-20...+45°C	90°C	246×30×16.5	ENEC TUV
HJA75-24VL	AC220-240V	0.95	0.95	≤0.5W	24VDC	0-75W	+/-5%	91.6%	-20...+45°C	90°C	246×30×16.5	ENEC TUV

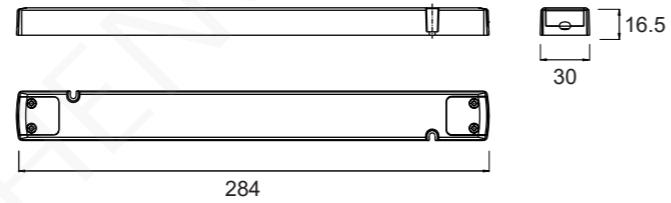
\* Measured at AC 230V and full load.





**ADVANCE SERIES**  
Linear constant voltage output

**ADVANCE SERIES**  
Linear constant voltage output



**Product Description**

- Independent power supply for constant voltage LED lamp
- Terminal block for quick connection
- Class II protection against electric shock for direct or indirect contact
- Super thin and shortest size design
- Driver can be secured with slot for screws
- Fast start-up time ≤0.5s, SELV output
- Compliance to ERP directive
- Noise isolation technology
- Suitable for low voltage controller of different frequency
- Slim demmension for narrow areas such cabinets
- Protections:
  - against open and short circuits
  - against overheating
  - against overloads
- 5-year warranty

**Safety & EMC Standard**

- Safety According to EN 61347-1, EN 61347-2-13 UL 1310 UL 8750
- EMI According to EN 55015 FCC part15B
- EMS According to EN 61000-3-2, EN 61000-3-3, EN 61547
- EMF According to EN62493-2010
- ERP According to COMMISSION REGULATION (EU) 2019/2020



AC inlet Optional

**Technic Data**

Item code	Rated input	PF	DF	No load power consumption	Output	Output power range	Tolerance	Efficiency	ta	tc	Size (L×W×H)	Approval
HJA100-12VL	AC220-240V	0.95	0.95	≤0.5W	12VDC	0-100W	+/-5%	91.0%	-20...+50°C	90°C	284×30×16.5	ENEC TUV
HJA100-24VL	AC220-240V	0.95	0.95	≤0.5W	24VDC	0-100W	+/-5%	92.0%	-20...+50°C	90°C	284×30×16.5	ENEC TUV
HJA60-12VL(UN)	AC 120V/220-240V	0.95	0.95	≤0.5W	12VDC	0-60W	+/-5%	91.0%	-20...+45°C	90°C	284×30×16.5	UL ENEC pending
HJA75-24VL(UN)	AC 120V/220-240V	0.95	0.95	≤0.5W	24VDC	0-75W	+/-5%	92.0%	-20...+45°C	90°C	284×30×16.5	UL ENEC pending

\* Measured at AC 230V and full load.



**Product Description**

- Independent power supply for constant voltage LED lamp
- Terminal block for quick connection
- Class II protection against electric shock for direct or indirect contact.
- Super thin and shortest size design
- Driver can be secured with slot for screws.
- Fast start-up time ≤0.5s, SELV output.
- Compliance to ERP directive.
- Protections:
  - against open and short circuits;
  - against overheating
  - against overloads.
- 5-year warranty

**Safety & EMC Standard**

- Safety According to EN 61347-1, EN 61347-2-13
- EMI According to EN 55015
- EMS According to EN 61000-3-2, EN 61000-3-3, EN 61547
- EMF According to EN62493-2010
- ERP According to COMMISSION REGULATION (EU) 2019/2020



AC inlet Optional

**Technic Data**

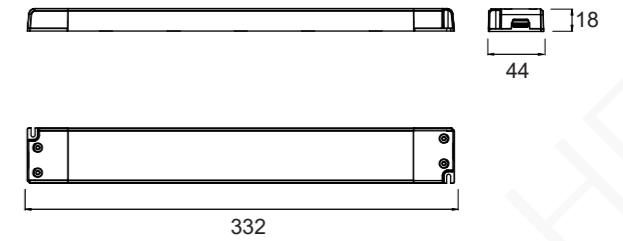
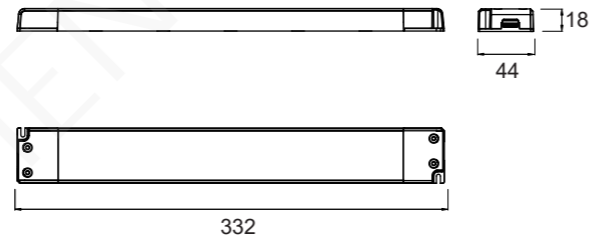
Item code	Rated input	PF	DF	No load power consumption	Output	Output power range	Tolerance	Efficiency	ta	tc	Size (L×W×H)	Approval
HJA120-12VL	AC220-240V	0.95	0.95	≤0.5W	12VDC	0-120W	+/-5%	91.5%	-20...+45°C	90°C	332×44×18	ENEC
HJA120-24VL	AC220-240V	0.95	0.95	≤0.5W	24VDC	0-120W	+/-5%	92.0%	-20...+45°C	90°C	332×44×18	ENEC

\* Measured at AC 230V and full load.



**ADVANCE SERIES**  
Linear constant voltage output

**ADVANCE SERIES**  
Linear constant voltage output



**Product Description**

- Independent power supply for constant voltage LED lamp
- Terminal block for quick connection
- Class II protection against electric shock for direct or indirect contact.
- Super thin and shortest size design
- Driver can be secured with slot for screws.
- Fast start-up time  $\leq 0.5s$ , SELV output.
- Compliance to ERP directive.
- Protections:
  - against open and short circuits;
  - against overheating
  - against overloads.
- 5-year warranty

**Product Description**

- Independent power supply for constant voltage LED lamp
- Terminal block for quick connection
- Class II protection against electric shock for direct or indirect contact.
- Super thin and shortest size design
- Driver can be secured with slot for screws.
- Fast start-up time  $\leq 0.5s$ , SELV output.
- Compliance to ERP directive.
- Protections:
  - against open and short circuits;
  - against overheating
  - against overloads.
- 5-year warranty

**Safety & EMC Standard**

- Safety According to EN 61347-1, EN 61347-2-13
- EMI According to EN 55015
- EMS According to EN 61000-3-2, EN 61000-3-3, EN 61547
- EMF According to EN 62493-2010
- ERP According to COMMISSION REGULATION (EU) 2019/2020



AC inlet Optional

**Safety & EMC Standard**

- Safety According to EN 61347-1, EN 61347-2-13
- EMI According to EN 55015
- EMS According to EN 61000-3-2, EN 61000-3-3, EN 61547
- EMF According to EN 62493-2010
- ERP According to COMMISSION REGULATION (EU) 2019/2020



AC inlet Optional

**Technic Data**

Item code	Rated input	PF	DF	No load power consumption	Output	Output power range	Tolerance	Efficiency	ta	tc	Size (LxWxH)	Approval
HJA150-12VL	AC220-240V	0.95	0.95	$\leq 0.5W$	12VDC	0-144W	+/-5%	93.0%	-20...+45°C	90°C	332x44x18	ENEC
HJA160-24VL	AC220-240V	0.95	0.95	$\leq 0.5W$	24VDC	0-160W	+/-5%	94.0%	-20...+45°C	90°C	332x44x18	ENEC

\* Measured at AC 230V and full load.



**Technic Data**

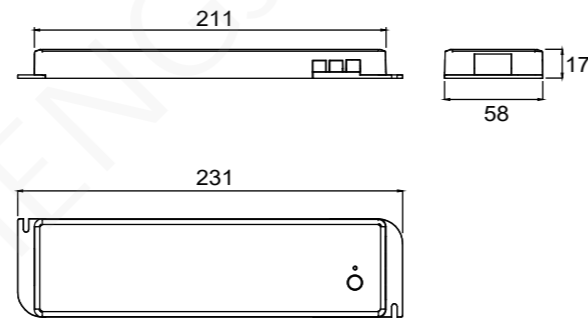
Item code	Rated input	PF	DF	No load power consumption	Output	Output power range	Tolerance	Efficiency	ta	tc	Size (LxWxH)	Approval
HJA200-24VL	AC220-240V	0.95	0.95	$\leq 0.5W$	24VDC	0-200W	+/-5%	94.5%	-20...+45°C	90°C	332x44x18	ENEC
HJA200-48VL	AC220-240V	0.95	0.95	$\leq 0.5W$	48VDC	0-200W	+/-5%	95.0%	-20...+45°C	90°C	332x44x18	ENEC

\* Measured at AC 230V and full load.





**ADVANCE SERIES**  
Intelligent constant voltage output



**Product Description**

- Independent power supply for constant voltage LED lamp
- Easy quick output connect
- Class II protection against electric shock for direct or indirect contact
- Cooperate with IR, PIR, RF PIR sensor, come true multiple functions
- Cooperate with 2 wired sensor and 4 RF PIR sensor or remote can deal with any scene
- The output power of the power supply could be dimmed between 5%-100%
- Super thin size design
- Fast start-up time ≤0.5s, SELV output
- Compliance to ERP directive
- Noise isolation technology
- Protections:
  - against open and short circuits
  - against overheating
  - against overloads
- 5-year warranty

**Safety & EMC Standard**

- Safety According to EN 61347-1, EN 61347-2-13
- EMI According to EN 55015
- EMS According to EN 61000-3-2, EN 61000-3-3, EN 61547
- EMF According to EN62493-2010
- ERP According to COMMISSION REGULATION (EU) 2019/2020

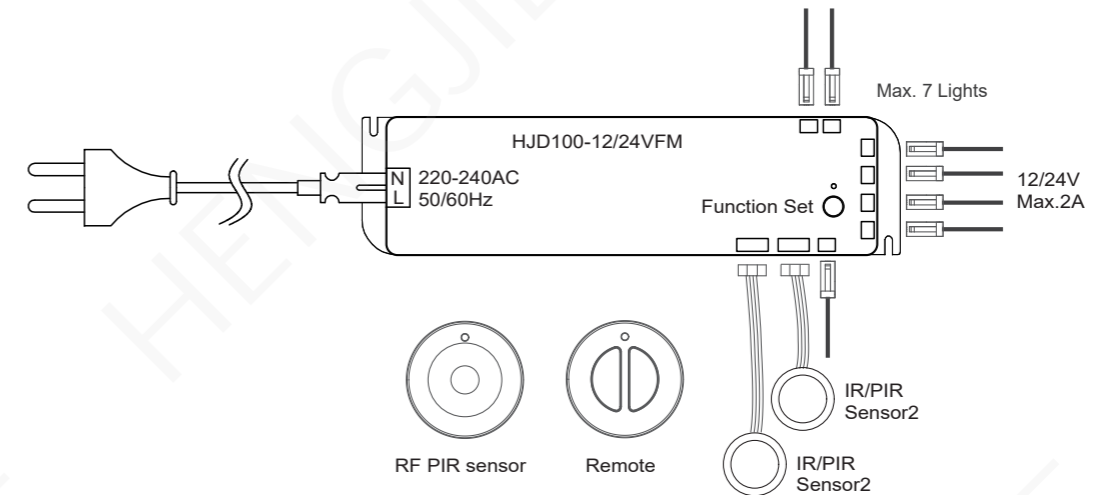
**Technic Data**

Item code	Rated input	PF	DF	No load power consumption	Output	Output power range	Tolerance	Efficiency	ta	tc	Size (L×W×H)	Approval
HJD75-12VFM	AC220-240V	0.95	0.95	≤0.5W	12VDC	0-75W	+/-5%	91.0%	-20...+45°C	85°C	231×58×17	CE
HJD75-24VFM	AC220-240V	0.95	0.95	≤0.5W	24VDC	0-75W	+/-5%	91.0%	-20...+45°C	85°C	231×58×17	CE
HJD100-12VFM	AC220-240V	0.95	0.95	≤0.5W	12VDC	0-100W	+/-5%	91.0%	-20...+45°C	90°C	231×58×17	CE
HJD100-24VFM	AC220-240V	0.95	0.95	≤0.5W	24VDC	0-100W	+/-5%	91.0%	-20...+45°C	90°C	231×58×17	CE

\* Measured at AC 230V and full load.



**Wiring Diagram**

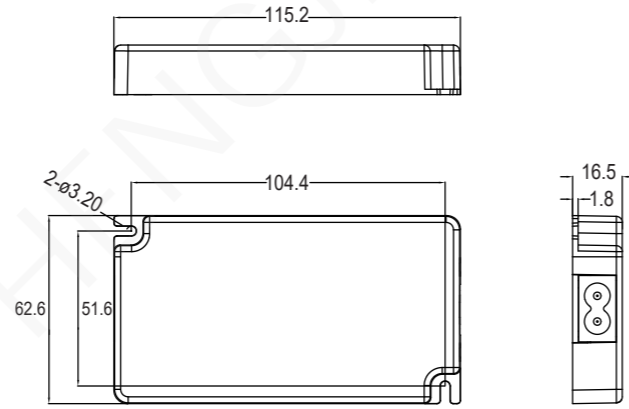


- Function: (A) Remote control  
(B) RF PIR sensor  
(C) IR sensor switch  
(D) PIR sensor switch

**Optional Accessories Table**

Accessory		• Mains cable 1.5m with plug
Remote control		• Wireless
IR sensor		• Supply 3-pin cable 1.8m with plug
RF PIR sensor		• Wireless
PIR sensor		• Supply 3-pin cable 1.8m with plug
Accessory		• Sensor head fastening screws 2.5×12 • Main housing fastening screws 3×12

**ADVANCE SERIES  
MULTI-FUNCTION CONSTANT VOLTAGE OUTPUT**



**Product Description**

- Independent power supply for constant voltage LED lamp
- AC socket for quick connect
- Class II protection against electric shock for direct or indirect contact
- Replace the module at the output to realize 2.4G, Bluetooth, zigbee and other control functions
- super thin size design
- Fast start-up time  $\leq 0.5s$ , SELV output.
- Compliance to ERP directive
- Protections:
  - against open and short circuits
  - against overheating
  - against overloads
- 5-year warranty

**Safety & EMC Standard**

- Safety According to EN 61347-1, EN 61347-2-13
- EMI According to EN 55015
- EMS According to EN 61000-3-2, EN 61000-3-3, EN 61547
- EMF According to EN62493-2010
- ERP According to COMMISSION REGULATION (EU) 2019/2020

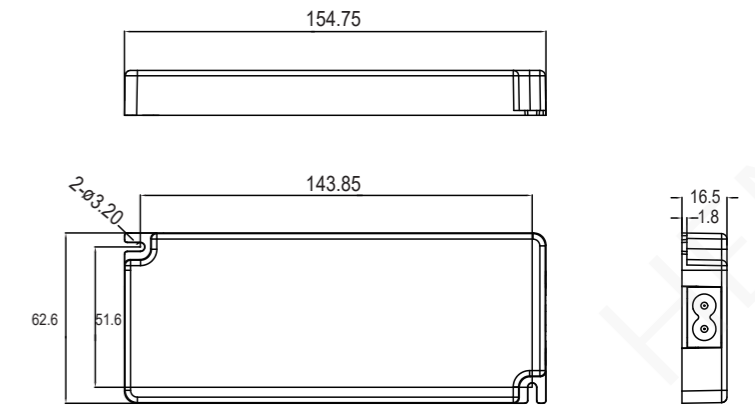
**Technic Data**

Item code	Rated input	PF	DF	No load power consumption	Output	Output power range	Tolerance	Efficiency	ta	tc	Size (L×W×H)	Approval
HJD15-24VLM	AC220-240V	0.95	0.95	$\leq 0.5W$	24VDC	0-15W	+/-5%	86.2%	-20...+45°C	80°C	115×63×16.5	CE
HJD20-24VLM	AC220-240V	0.95	0.95	$\leq 0.5W$	24VDC	0-20W	+/-5%	86.2%	-20...+45°C	80°C	115×63×16.5	CE

\* Parameters measured at AC120V and full load.



**ADVANCE SERIES  
MULTI-FUNCTION CONSTANT VOLTAGE OUTPUT**



**Product Description**

- Independent power supply for constant voltage LED lamp
- AC socket for quick connect
- Class II protection against electric shock for direct or indirect contact
- Replace the module at the output to realize 2.4G, Bluetooth, zigbee and other control functions
- super thin size design
- Fast start-up time  $\leq 0.5s$ , SELV output.
- Compliance to ERP directive
- Protections:
  - against open and short circuits
  - against overheating
  - against overloads
- 5-year warranty

**Safety & EMC Standard**

- Safety According to EN 61347-1, EN 61347-2-13
- EMI According to EN 55015
- EMS According to EN 61000-3-2, EN 61000-3-3, EN 61547
- EMF According to EN62493-2010
- ERP According to COMMISSION REGULATION (EU) 2019/2020

**Technic Data**

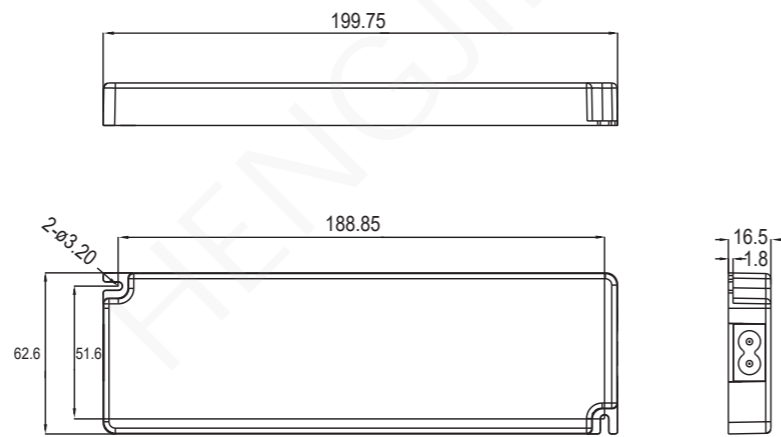
Item code	Rated input	PF	DF	No load power consumption	Output	Output power range	Tolerance	Efficiency	ta	tc	Size (L×W×H)	Approval
HJD30-24VLM	AC220-240V	0.95	0.95	$\leq 0.5W$	24VDC	0-30W	+/-5%	87.4%	-20...+45°C	85°C	155×63×16.5	CE
HJD40-24VLM	AC220-240V	0.95	0.95	$\leq 0.5W$	24VDC	0-40W	+/-5%	87%	-20...+45°C	85°C	155×63×16.5	CE

\* Measured at AC 230V and full load.





**ADVANCE SERIES**  
MULTI-FUNCTION CONSTANT VOLTAGE OUTPUT



**Product Description**

- Independent power supply for constant voltage LED lamp
- AC socket for quick connect
- Class II protection against electric shock for direct or indirect contact
- Replace the module at the output to realize 2.4G, Bluetooth, zigbee and other control functions
- super thin size design
- Fast start-up time  $\leq 0.5s$ , SELV output.
- Compliance to ERP directive
- Protections:
  - against open and short circuits
  - against overheating
  - against overloads

**Safety & EMC Standard**

- Safety According to EN 61347-1, EN 61347-2-13
- EMI According to EN 55015
- EMS According to EN 61000-3-2, EN 61000-3-3, EN 61547
- EMF According to EN 62493-2010
- ERP According to COMMISSION REGULATION (EU) 2019/2020

**Technic Data**

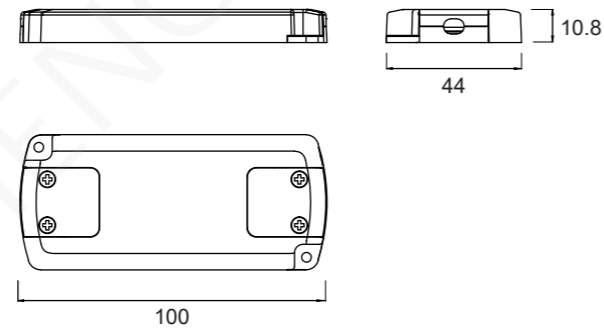
Item code	Rated input	PF	DF	No load power consumption	Output	Output power range	Tolerance	Efficiency	ta	tc	Size (L×W×H)	Approval
HJD60-24VLM	AC220-240V	0.95	0.95	$\leq 0.5W$	24VDC	0-60W	+/-5%	91.0%	-20...+45°C	85°C	200×63×16.5	CE
HJD75-24VLM	AC220-240V	0.95	0.95	$\leq 0.5W$	24VDC	0-75W	+/-5%	92.0%	-20...+45°C	90°C	200×63×16.5	CE
HJD100-24VLM	AC220-240V	0.95	0.95	$\leq 0.5W$	24VDC	0-100W	+/-5%	92.0%	-20...+45°C	90°C	200×63×16.5	CE
HJD120-24VLM	AC220-240V	0.95	0.95	$\leq 0.5W$	24VDC	0-120W	+/-5%	92.0%	-20...+45°C	90°C	200×63×16.5	CE
HJD150-24VLM	AC220-240V	0.95	0.95	$\leq 0.5W$	24VDC	0-150W	+/-5%	94.0%	-20...+45°C	90°C	200×63×16.5	CE

\* Measured at AC 230V and full load.



**STANDARD SERIES**  
Ultrathin constant voltage / constant current output

**CV/CC**



**Product Description**

- Independent power supply for constant current LED lamp
- Terminal block for quick connection
- Mini DC socket at the secondary side for quick connection
- Class II protection against electric shock for direct or indirect contact
- Super thin size design
- Driver can be secured with slot for screws
- Fast start-up time ≤0.5s, SELV output
- Compliance to ERP directive
- Protections:
  - against open and short circuits
  - against overheating
  - against overloads
- 5-year warranty

**Safety & EMC Standard**

- Safety According to EN 61347-1, EN 61347-2-13
- EMI According to EN 55015
- EMS According to EN 61000-3-2, EN 61000-3-3, EN 61547
- EMF According to EN62493-2010
- ERP According to COMMISSION REGULATION (EU) 2019/2020

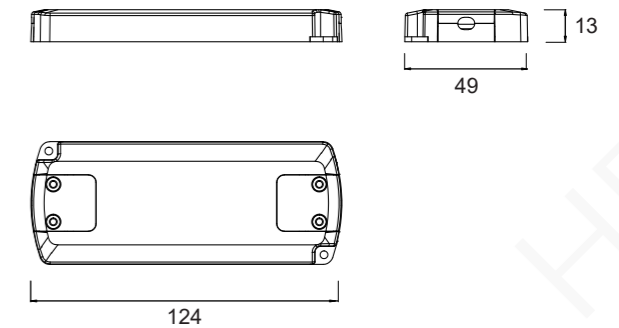
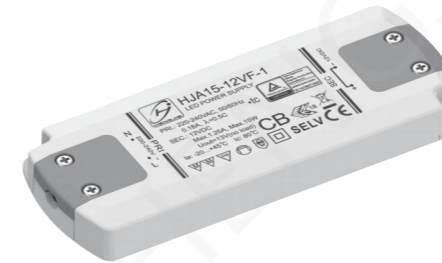
**Technic Data**

Item code	Rated input	PF	DF	No load power consumption	Efficiency	CV			CC			ta	tc	Size (L×W×H)	Approval	
						Output voltage	Output power range	Tolerance	Output Current	Output voltage range	Output power range					Tolerance
HJA6-12VF	AC220-240V	0.50C	0.85	≤0.3W	70.0%	12VDC	0-6W	+/-5%	700mA	1-8.5V	0.7-6W	+/-8%	-20...+45°C	85°C	100×44×10.8	ENEC TUV
HJA6-24VF-1	AC220-240V	0.50C	0.85	≤0.3W	76.5%	24VDC	0-6W	+/-5%	350mA	1-17.5V	0.35-6W	+/-8%	-20...+45°C	85°C	100×44×10.8	ENEC TUV

\* Measured at AC 230V and full load.



**STANDARD SERIES**  
Ultrathin constant voltage output



**Product Description**

- Independent power supply for constant current LED lamp
- Terminal block for quick connection
- Class II protection against electric shock for direct or indirect contact
- Super thin size design
- Driver can be secured with slot for screws
- Fast start-up time ≤0.5s, SELV output
- Compliance to ERP directive
- Protections:
  - against open and short circuits
  - against overheating
  - against overloads
- 5-year warranty

**Safety & EMC Standard**

- Safety According to EN 61347-1, EN 61347-2-13
- EMI According to EN 55015
- EMS According to EN 61000-3-2, EN 61000-3-3, EN 61547
- EMF According to EN62493-2010
- ERP According to COMMISSION REGULATION (EU) 2019/2020

**Technic Data**

Item code	Rated input	PF	DF	No load power consumption	Output	Output power range	Tolerance	Efficiency	ta	tc	Size (L×W×H)	Approval
HJA15-24VF-1	AC220-240V	0.50C	0.85	≤0.3W	24VDC	0-15W	+/-5%	87.5%	-20...+45°C	80°C	124×49×13	ENEC TUV

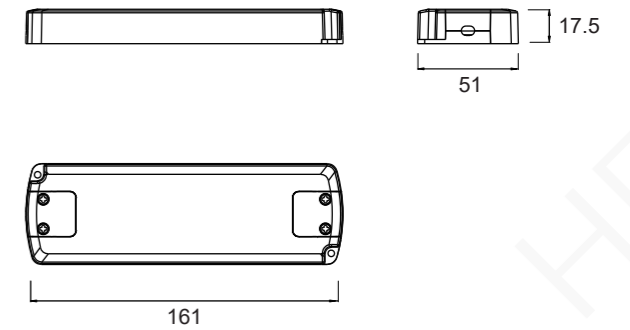
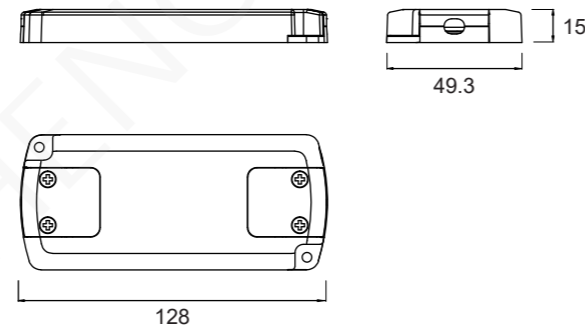
\* Measured at AC 230V and full load.





**STANDARD SERIES**  
Ultrathin constant voltage output

**STANDARD SERIES**  
Ultrathin constant voltage output



**Product Description**

- Independent power supply for constant current LED lamp
- Terminal block for quick connection
- Class II protection against electric shock for direct or indirect contact
- Super thin size design
- Driver can be secured with slot for screws
- Fast start-up time  $\leq 0.5s$ , SELV output
- Compliance to ERP directive
- Protections:
  - against open and short circuits
  - against overheating
  - against overloads
- 5-year warranty

**Product Description**

- Independent power supply for constant current LED lamp
- Terminal block for quick connection
- Class II protection against electric shock for direct or indirect contact
- Super thin size design
- Driver can be secured with slot for screws
- Fast start-up time  $\leq 0.5s$ , SELV output
- Compliance to ERP directive
- Protections:
  - against open and short circuits
  - against overheating
  - against overloads
- 5-year warranty

**Safety & EMC Standard**

- Safety According to EN 61347-1, EN 61347-2-13
- EMI According to EN 55015
- EMS According to EN 61000-3-2, EN 61000-3-3, EN 61547
- EMF According to EN 62493-2010
- ERP According to COMMISSION REGULATION (EU) 2019/2020

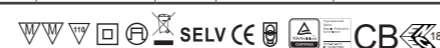
**Safety & EMC Standard**

- Safety According to EN 61347-1, EN 61347-2-13
- EMI According to EN 55015
- EMS According to EN 61000-3-2, EN 61000-3-3, EN 61547
- EMF According to EN 62493-2010
- ERP According to COMMISSION REGULATION (EU) 2019/2020

**Technic Data**

Item code	Rated input	PF	DF	No load power consumption	Output	Output power range	Tolerance	Efficiency	ta	tc	Size (LxWxH)	Approval
HJA20-12VF-1	AC220-240V	0.55C	0.85	$\leq 0.3W$	12VDC	0-20W	+/-5%	84.1%	-20...+45°C	85°C	128x49.3x15	ENEC TUV
HJA20-24VF-1	AC220-240V	0.55C	0.85	$\leq 0.3W$	24VDC	0-20W	+/-5%	87.6%	-20...+45°C	85°C	128x49.3x15	ENEC TUV

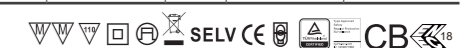
\* Measured at AC 230V and full load.



**Technic Data**

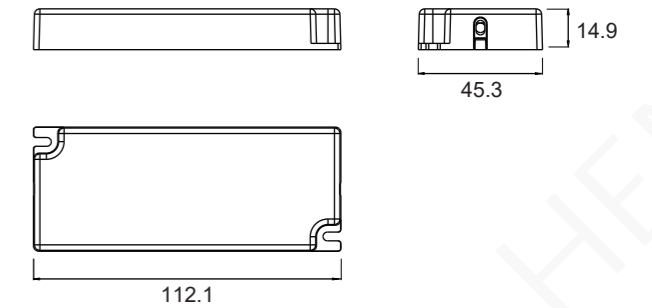
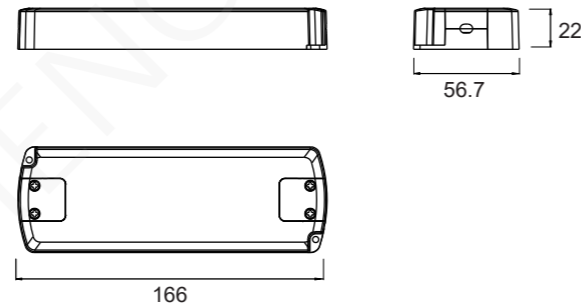
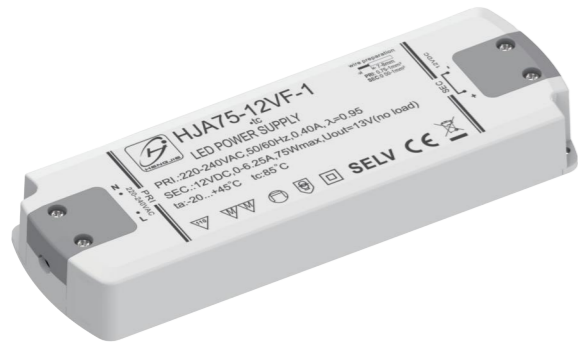
Item code	Rated input	PF	DF	No load power consumption	Output	Output power range	Tolerance	Efficiency	ta	tc	Size (LxWxH)	Approval
HJA30-12VF-1	AC220-240V	0.95	0.95	$\leq 0.3W$	12VDC	0-30W	+/-5%	83.5%	-20...+45°C	85°C	161x51x17.5	ENEC TUV
HJA30-24VF-1	AC220-240V	0.95	0.95	$\leq 0.3W$	24VDC	0-30W	+/-5%	84.5%	-20...+45°C	85°C	161x51x17.5	ENEC TUV

\* Measured at AC 230V and full load.



**STANDARD SERIES**  
Ultrathin constant voltage output

**STANDARD SERIES**  
Water-proof constant voltage output



**Product Description**

- Independent power supply for constant voltage LED lamp
- Terminal block for quick connection
- Class II protection against electric shock for direct or indirect contact.
- Super thin size design
- Driver can be secured with slot for screws.
- Fast start-up time  $\leq 0.5s$ , SELV output.
- Compliance to ERP directive.
- Protections:
  - against open and short circuits;
  - against overheating
  - against overloads.
- 5-year warranty

**Safety & EMC Standard**

- Safety According to EN 61347-1, EN 61347-2-13
- EMI According to EN 55015
- EMS According to EN 61000-3-2, EN 61000-3-3, EN 61547
- EMF According to EN 62493-2010
- ERP According to COMMISSION REGULATION (EU) 2019/2020

**Technic Data**

Item code	Rated input	PF	DF	No load power consumption	Output	Output power range	Tolerance	Efficiency	ta	tc	Size (L×W×H)	Approval
HJA75-12VF-1	AC220-240V	0.95	0.95	$\leq 0.5W$	12VDC	0-75W	$\pm 5\%$	91.0%	-20...+45°C	85°C	166×56.7×22	ENEC
HJA75-24VF-1	AC220-240V	0.95	0.95	$\leq 0.5W$	24VDC	0-75W	$\pm 5\%$	92.0%	-20...+45°C	85°C	166×56.7×22	ENEC
HJA100-12VF	AC220-240V	0.95	0.95	$\leq 0.5W$	12VDC	0-100W	$\pm 5\%$	91.0%	-20...+45°C	90°C	166×56.7×22	CE
HJA100-24VF	AC220-240V	0.95	0.95	$\leq 0.5W$	24VDC	0-100W	$\pm 5\%$	92.0%	-20...+45°C	90°C	166×56.7×22	CE

\* Measured at AC 230V and full load.



**Product Description**

- Independent power supply for constant voltage LED lamp
- With output and input flying leads
- Class II protection against electric shock for direct or indirect contact.
- Super thin size design
- IP44 water-proof design
- Fast start-up time  $\leq 0.5s$ , SELV output.
- Compliance to ERP directive.
- Protections:
  - against open and short circuits;
  - against overheating
  - against overloads.
- 5-year warranty

**Safety & EMC Standard**

- Safety According to EN 61347-1, EN 61347-2-13
- EMI According to EN 55015
- EMS According to EN 61000-3-2, EN 61000-3-3, EN 61547
- EMF According to EN 62493-2010
- ERP According to COMMISSION REGULATION (EU) 2019/2020

**Technic Data**

Item code	Rated input	PF	DF	No load power consumption	Output	Output power range	Tolerance	Efficiency	ta	tc	Size (L×W×H)	IP	Approval
HJP6-12VF	AC220-240V	0.50C	0.85	$\leq 0.3W$	12VDC	0-6W	$\pm 5\%$	78.0%	-20...+50°C	75°C	112.1×45.3×14.9	44	CE
HJP6-24VF	AC220-240V	0.50C	0.85	$\leq 0.3W$	24VDC	0-6W	$\pm 5\%$	80.5%	-20...+50°C	75°C	112.1×45.3×14.9	44	CE

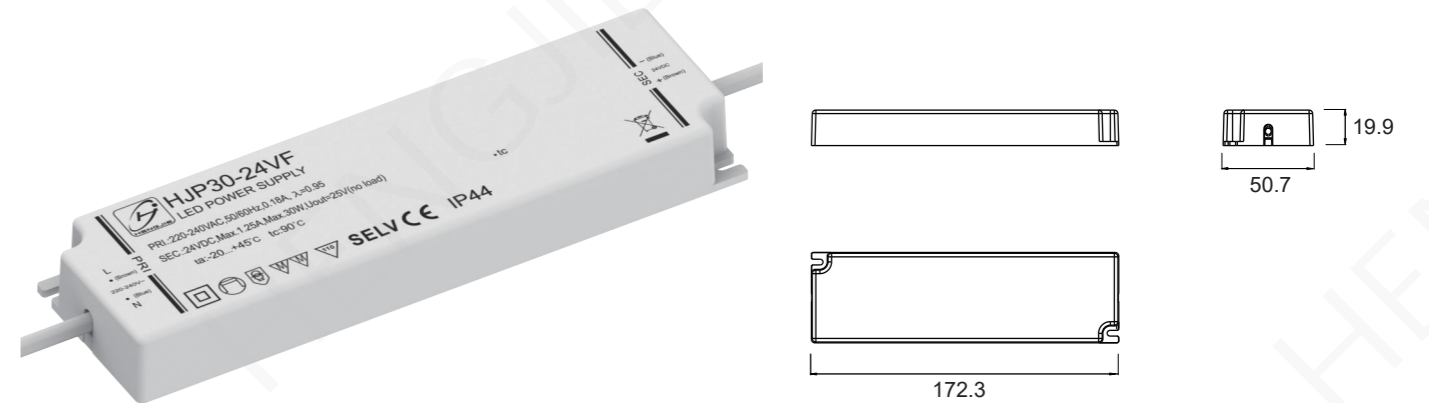
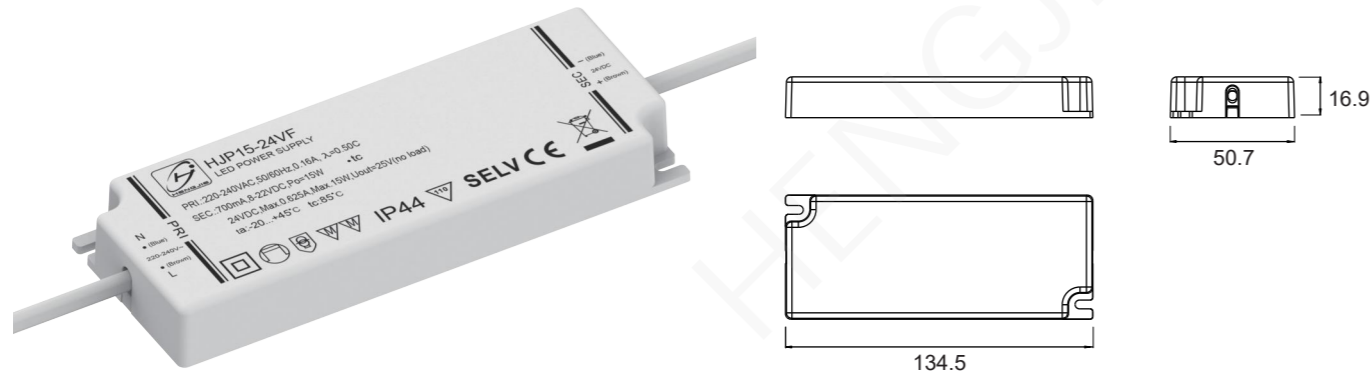
\* Measured at AC 230V and full load.





**STANDARD SERIES**  
Water-proof constant voltage output

**STANDARD SERIES**  
Water-proof constant voltage output



**Product Description**

- Independent power supply for constant voltage LED lamp
- With output and input flying leads
- Class II protection against electric shock for direct or indirect contact.
- Super thin size design
- IP44 water-proof design
- Fast start-up time ≤0.5s, SELV output.
- Compliance to ERP directive.
- Protections:
  - against open and short circuits;
  - against overheating
  - against overloads.
- 5-year warranty

**Product Description**

- Independent power supply for constant voltage LED lamp
- With output and input flying leads
- Class II protection against electric shock for direct or indirect contact.
- Super thin size design
- IP44 water-proof design
- Fast start-up time ≤0.5s, SELV output.
- Compliance to ERP directive.
- Protections:
  - against open and short circuits;
  - against overheating
  - against overloads.
- 5-year warranty

**Safety & EMC Standard**

- Safety According to EN 61347-1, EN 61347-2-13
- EMI According to EN 55015
- EMS According to EN 61000-3-2, EN 61000-3-3, EN 61547
- EMF According to EN62493-2010
- ERP According to COMMISSION REGULATION (EU) 2019/2020

**Safety & EMC Standard**

- Safety According to EN 61347-1, EN 61347-2-13
- EMI According to EN 55015
- EMS According to EN 61000-3-2, EN 61000-3-3, EN 61547
- EMF According to EN62493-2010
- ERP According to COMMISSION REGULATION (EU) 2019/2020

**Technic Data**

Item code	Rated input	PF	DF	No load power consumption	Output	Output power range	Tolerance	Efficiency	ta	tc	Size (L×W×H)	IP	Approval
HJP15-12VF	AC220-240V	0.50C	0.85	≤0.3W	12VDC	0-15W	+/-5%	82.5%	-20...+45°C	90°C	134.5×50.7×16.9	44	CE
HJP15-24VF	AC220-240V	0.50C	0.85	≤0.3W	24VDC	0-15W	+/-5%	85.5%	-20...+45°C	85°C	134.5×50.7×16.9	44	CE

\* Measured at AC 230V and full load.



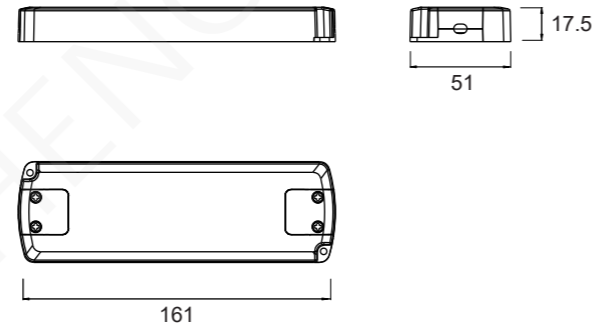
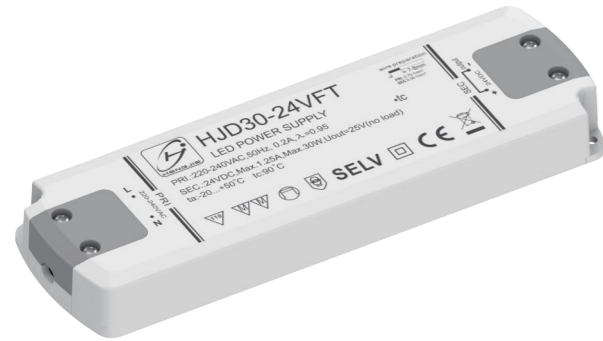
**Technic Data**

Item code	Rated input	PF	DF	No load power consumption	Output	Output power range	Tolerance	Efficiency	ta	tc	Size (L×W×H)	IP	Approval
HJP30-12VF	AC220-240V	0.95	0.95	≤0.3W	12VDC	0-30W	+/-5%	83.5%	-20...+45°C	85°C	172.3×50.7×19.9	44	CE
HJP30-24VF	AC220-240V	0.95	0.95	≤0.3W	24VDC	0-30W	+/-5%	84.5%	-20...+45°C	85°C	172.3×50.7×19.9	44	CE

\* Measured at AC 230V and full load.



**STANDARD SERIES**  
Phase cut dimming constant voltage output



**Product Description**

- Independent phase cut dimming power supply for constant voltage LED lamp
- Terminal block for quick connection
- Class II protection against electric shock for direct or indirect contact
- Good flicker suppression
- Noise isolation technology
- The output power of the power supply could be dimmed between 5%-100% by trailing or leading edge dimmers
- Super thin size design
- Driver can be secured with slot for screws
- Fast start-up time ≤0.5s, SELV output
- Protections:
  - against open and short circuits
  - against overheating
  - against overloads
- 3-year warranty

**Safety & EMC Standard**

- Safety According to EN 61347-1, EN 61347-2-13
- EMI According to EN 55015
- EMS According to EN 61000-3-2, EN 61000-3-3, EN 61547
- EMF According to EN 62493-2010

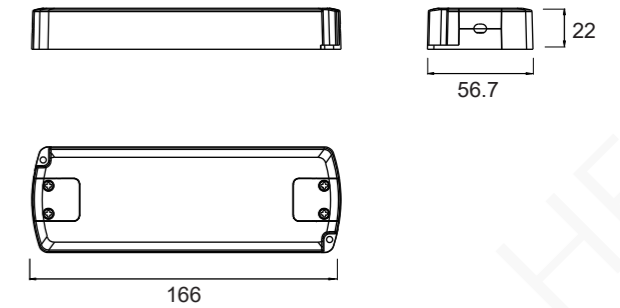
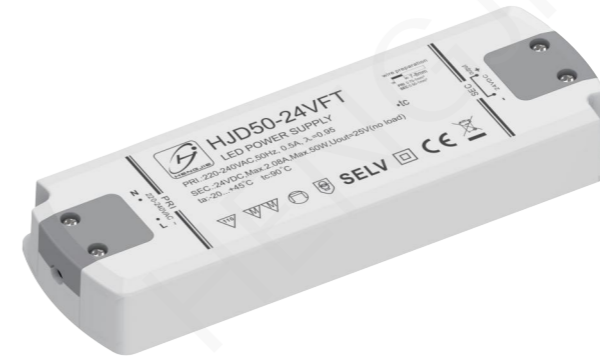
**Technic Data**

Item code	Rated input	PF	DF	Output	Output power range	Tolerance	Efficiency	ta	tc	Size (L×W×H)	Approval
HJD30-12VFT	AC220-240V	0.95	0.95	12VDC	0-30W	+/-5%	81.0%	-20...+45°C	90°C	161×51×17.5	CE
HJD30-24VFT	AC220-240V	0.95	0.95	24VDC	0-30W	+/-5%	83.0%	-20...+45°C	85°C	161×51×17.5	CE

\* Measured at AC 230V and full load.



**STANDARD SERIES**  
Phase cut dimming constant voltage output



**Product Description**

- Independent phase cut dimming power supply for constant voltage LED lamp
- Terminal block for quick connection
- Class II protection against electric shock for direct or indirect contact
- Good flicker suppression
- Noise isolation technology
- The output power of the power supply could be dimmed between 5%-100% by trailing or leading edge dimmers
- Super thin size design
- Driver can be secured with slot for screws
- Fast start-up time ≤0.5s, SELV output
- Protections:
  - against open and short circuits
  - against overheating
  - against overloads
- 3-year warranty

**Safety & EMC Standard**

- Safety According to EN 61347-1, EN 61347-2-13
- EMI According to EN 55015
- EMS According to EN 61000-3-2, EN 61000-3-3, EN 61547
- EMF According to EN 62493-2010

**Technic Data**

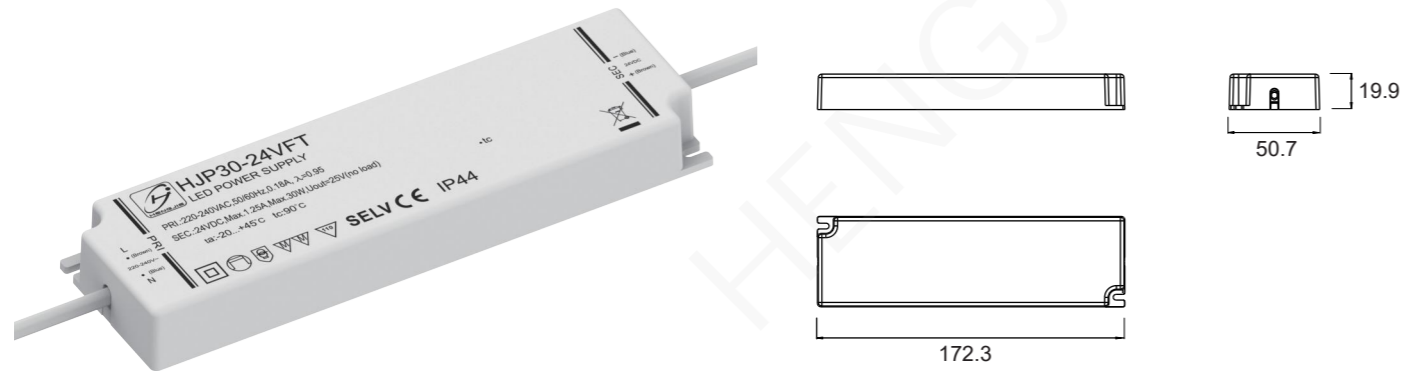
Item code	Rated input	PF	DF	Output	Output power range	Tolerance	Efficiency	ta	tc	Size (L×W×H)	Approval
HJD50-12VFT	AC220-240V	0.95	0.95	12VDC	0-50W	+/-5%	86.0%	-20...+45°C	90°C	166×56.7×22	CE
HJD50-24VFT	AC220-240V	0.95	0.95	24VDC	0-50W	+/-5%	87.0%	-20...+45°C	90°C	166×56.7×22	CE

\* Measured at AC 230V and full load.



**STANDARD SERIES**

Phase cut dimming constant voltage output



**Product Description**

- Independent phase cut dimming power supply for constant voltage LED lamp
- With output and input flying leads
- Class II protection against electric shock for direct or indirect contact
- Good flicker suppression
- Noise isolation technology
- The output power of the power supply could be dimmed between 5%-100% by trailing or leading edge dimmers
- Super thin size design
- IP44 water-proof design
- Fast start-up time ≤0.5s, SELV output.
- Protections:
  - against open and short circuits;
  - against overheating
  - against overloads.
- 3-year warranty

**Safety & EMC Standard**

- Safety According to EN 61347-1, EN 61347-2-13
- EMI According to EN 55015
- EMS According to EN 61000-3-2, EN 61000-3-3, EN 61547
- EMF According to EN 62493-2010

**Technic Data**

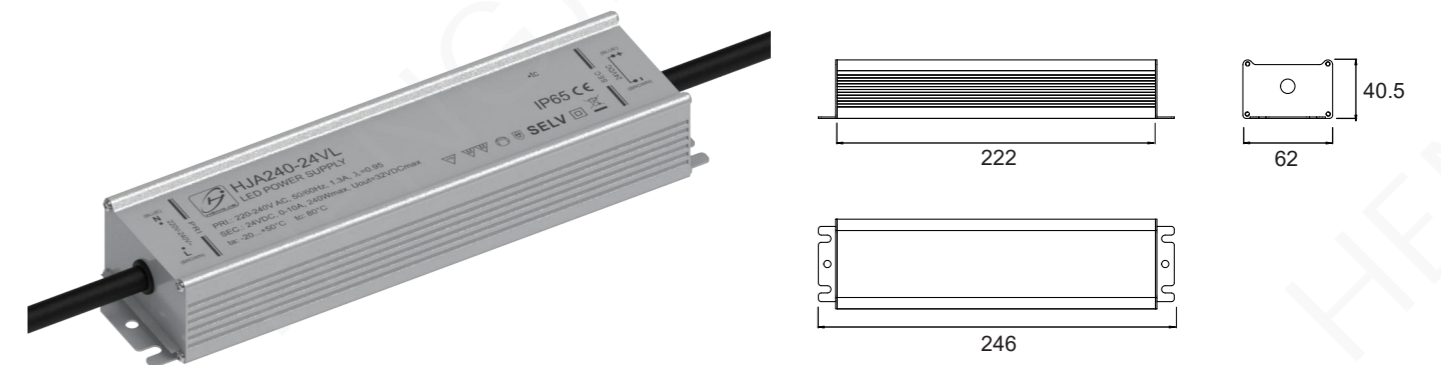
Item code	Rated input	PF	DF	Output	Output power range	Tolerance	Efficiency	ta	tc	Size (L×W×H)	IP	Approval
HJP30-12VFT	AC220-240V	0.95	0.95	12VDC	0-30W	+/-5%	81.0%	-20...+45°C	90°C	172.3×50.7×19.9	44	ENEC
HJP30-24VFT	AC220-240V	0.95	0.95	24VDC	0-30W	+/-5%	83.0%	-20...+45°C	90°C	172.3×50.7×19.9	44	ENEC

\* Measured at AC 230V and full load.



**STANDARD SERIES**

Metal-waterproof constant voltage output



**Product Description**

- Independent power supply for constant voltage LED lamp
- With output and input flying leads
- Metal case with Class II protection against electric shock for direct or indirect contact.
- IP65 water-proof design
- Fast start-up time ≤0.5s, SELV output.
- Compliance to ERP directive.
- Protections:
  - against open and short circuits;
  - against overheating
  - against overloads.
- 5-year warranty

**Safety & EMC Standard**

- Safety According to EN 61347-1, EN 61347-2-13
- EMI According to EN 55015
- EMS According to EN 61000-3-2, EN 61000-3-3, EN 61547
- EMF According to EN 62493-2010
- ERP According to COMMISSION REGULATION (EU) 2019/2020

**Technic Data**

Item code	Rated input	PF	DF	No load power consumption	Output	Output power range	Tolerance	Efficiency	ta	tc	Size (L×W×H)	IP	Approval
HJA240-24VL	AC220-240V	0.95	0.95	≤0.5W	24VDC	0-240W	+/-5%	94.0%	-20...+45°C	85°C	246×62×40.5	65	CE

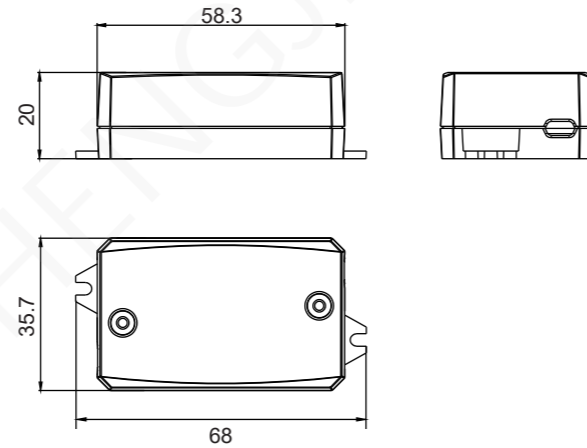
\* Measured at AC 230V and full load.





**BASIC SERIES**  
 Ultrasmall constant voltage / constant current output

**CV/CC**



**Product Description**

- Independent power supply for constant voltage LED lamp
- Terminal block for quick connection
- Class II protection against electric shock for direct or indirect contact
- Ultra compact size
- Driver can be secured with slot for screws
- Fast start-up time  $\leq 0.5s$ , SELV output
- Compliance to ERP directive
- Noise isolation technology
- Protections:
  - against open and short circuits
  - against overheating
  - against overloads
- 3-years warranty

**Safety & EMC Standard**

- Safety According to EN 61347-1, EN 61347-2-13
- EMI According to EN 55015
- EMS According to EN 61000-3-2, EN 61000-3-3, EN 61547
- EMF According to EN 62493-2010
- ERP According to COMMISSION REGULATION (EU) 2019/2020

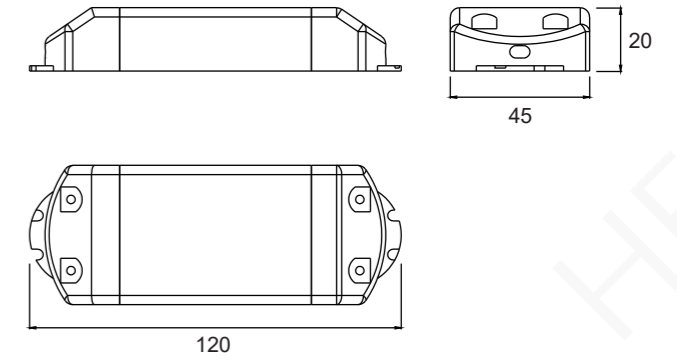
**Technic Data**

Item code	Rated input	PF	DF	No load power consumption	Efficiency	CV			CC			ta	tc	Size (LxWxH)	Approval	
						Output voltage	Output power range	Tolerance	Output Current	Output voltage range	Output power range					Tolerance
HJA8-12VG	AC220-240V	0.50C	0.85	$\leq 0.3W$	77.5%	12VDC	0-8W	+/-5%	700mA	3-11.5V	2.1-8W	+/-8%	-20...+45°C	85°C	68x35.7x20	ENEC TUV
HJA8-24VG	AC220-240V	0.50C	0.85	$\leq 0.3W$	81.0%	24VDC	0-8W	+/-5%	350mA	6-23V	2.1-8W	+/-8%	-20...+45°C	85°C	68x35.7x20	ENEC TUV
HJA15-12VG	AC220-240V	0.50C	0.85	$\leq 0.3W$	83.0%	12VDC	0-15W	+/-5%	-	-	-	-	-20...+45°C	85°C	68x35.7x20	ENEC TUV
HJA15-24VG	AC220-240V	0.50C	0.85	$\leq 0.3W$	84.0%	24VDC	0-15W	+/-5%	700mA	8-22V	5.6-15W	+/-8%	-20...+45°C	90°C	68x35.7x20	ENEC TUV

\* Measured at AC 230V and full load.



**BASIC SERIES**  
 Ultrasmall constant voltage output



**Product Description**

- Independent power supply for constant voltage LED lamp
- Terminal block for quick connection
- Class II protection against electric shock for direct or indirect contact
- Ultra compact size
- Driver can be secured with slot for screws
- Fast start-up time  $\leq 0.5s$ , SELV output
- Compliance to ERP directive
- Noise isolation technology
- Protections:
  - against open and short circuits
  - against overheating
  - against overloads
- 3-years warranty

**Safety & EMC Standard**

- Safety According to EN 61347-1, EN 61347-2-13
- EMI According to EN 55015
- EMS According to EN 61000-3-2, EN 61000-3-3, EN 61547
- EMF According to EN 62493-2010
- ERP According to COMMISSION REGULATION (EU) 2019/2020

**Technic Data**

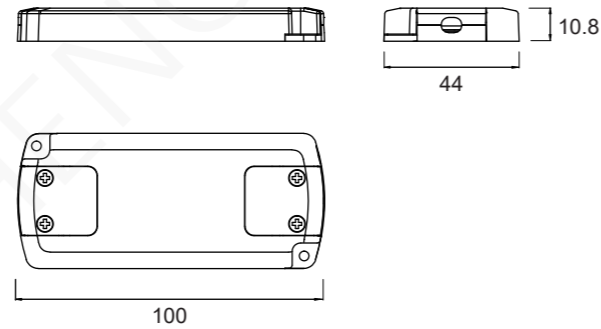
Item code	Rated input	PF	DF	No load power consumption	Output	Output power range	Tolerance	Efficiency	ta	tc	Size (LxWxH)	Approval
HJA20-12VG	AC220-240V	0.50C	0.85	$\leq 0.3W$	12VDC	0-20W	+/-5%	83.0%	-20...+45°C	75°C	110x45x20	ENEC TUV
HJA20-24VG	AC220-240V	0.50C	0.85	$\leq 0.3W$	24VDC	0-20W	+/-5%	85.0%	-20...+45°C	75°C	110x45x20	ENEC TUV

\* Measured at AC 230V and full load.



**BASIC SERIES**  
 Ultrathin constant voltage / constant current output

**CV/CC**



**Product Description**

- Independent power supply for constant voltage LED lamp
- Terminal block for quick connection
- Class II protection against electric shock for direct or indirect contact.
- Super thin size design
- Driver can be secured with slot for screws.
- Fast start-up time  $\leq 0.5s$ , SELV output.
- Compliance to ERP directive.
- Protections:
  - against open and short circuits;
  - against overheating
  - against overloads.
- 3-years warranty

**Safety & EMC Standard**

- Safety According to EN 61347-1, EN 61347-2-13
- EMI According to EN 55015
- EMS According to EN 61000-3-2, EN 61000-3-3, EN 61547
- EMF According to EN 62493-2010
- ERP According to COMMISSION REGULATION (EU) 2019/2020

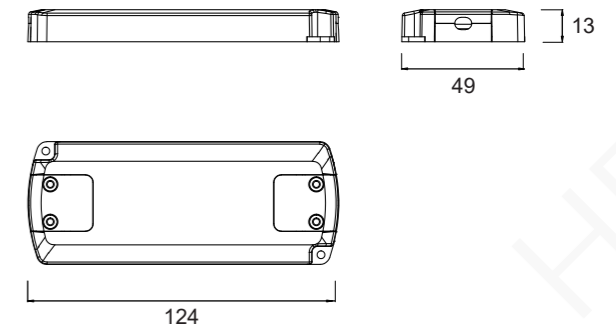
**Technic Data**

Item code	Rated input	PF	DF	No load power consumption	Efficiency	CV			CC			ta	tc	Size (L×W×H)	Approval	
						Output voltage	Output power range	Tolerance	Output Current	Output voltage range	Output power range					Tolerance
HJA6-12VF-2	AC220-240V	0.50C	0.85	$\leq 0.3W$	78.0%	12VDC	0-6W	+/-5%	700mA	3-8.5V	2.1-6W	+/-8%	-20...+50°C	75°C	100×44×10.8	CE
HJA6-24VF-2	AC220-240V	0.50C	0.85	$\leq 0.3W$	80.5%	24VDC	0-6W	+/-5%	350mA	6-17V	2.1-6W	+/-8%	-20...+50°C	75°C	100×44×10.8	CE

\* Measured at AC 230V and full load.



**BASIC SERIES**  
 Ultrathin constant voltage output



**Product Description**

- Independent power supply for constant voltage LED lamp
- Terminal block for quick connection
- Class II protection against electric shock for direct or indirect contact.
- Super thin size design
- Driver can be secured with slot for screws.
- Fast start-up time  $\leq 0.5s$ , SELV output.
- Compliance to ERP directive.
- Protections:
  - against open and short circuits;
  - against overheating
  - against overloads.
- 3-years warranty

**Safety & EMC Standard**

- Safety According to EN 61347-1, EN 61347-2-13
- EMI According to EN 55015
- EMS According to EN 61000-3-2, EN 61000-3-3, EN 61547
- EMF According to EN 62493-2010
- ERP According to COMMISSION REGULATION (EU) 2019/2020

**Technic Data**

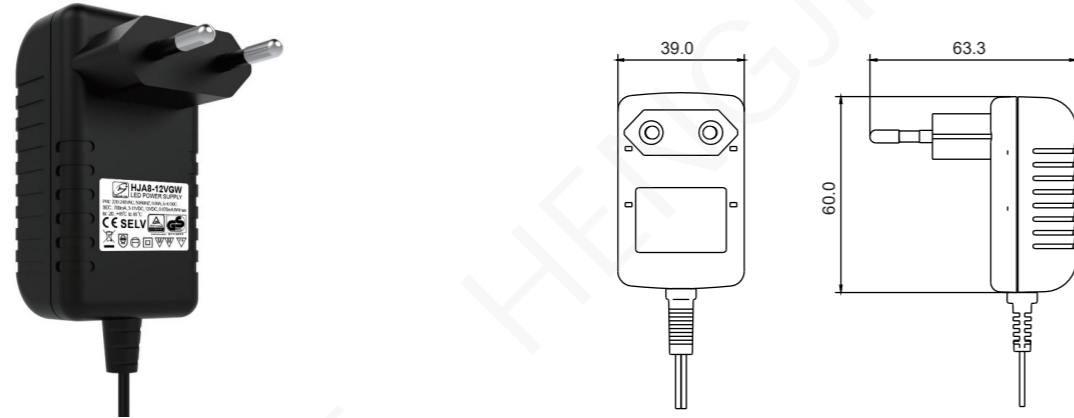
Item code	Rated input	PF	DF	No load power consumption	Output	Output power range	Tolerance	Efficiency	ta	tc	Size (L×W×H)	Approval
HJA15-24VF-2	AC220-240V	0.50C	0.85	$\leq 0.3W$	24VDC	0-15W	+/-5%	85.5%	-20...+45°C	85°C	124×49×13	CE

\* Measured at AC 230V and full load.



**PLUG-IN SERIES**  
 Ultrasmall constant voltage / constant current output

CV/CC



**Product Description**

- Independent power supply for constant voltage LED lamp
- Plug-in input and deconcentrator output
- Class II protection against electric shock for direct or indirect contact
- Fast start-up time ≤0.5s, SELV output
- Compliance to ERP directive
- Protections:
  - against open and short circuits
  - against overheating
  - against overloads
- 3-year warranty

**Safety & EMC Standard**

- Safety According to EN 61347-1, EN 61347-2-13
- EMI According to EN 55015
- EMS According to EN 61000-3-2, EN 61000-3-3, EN 61547
- EMF According to EN62493-2010
- ERP According to COMMISSION REGULATION (EU) 2019/2020

**Technic Data**

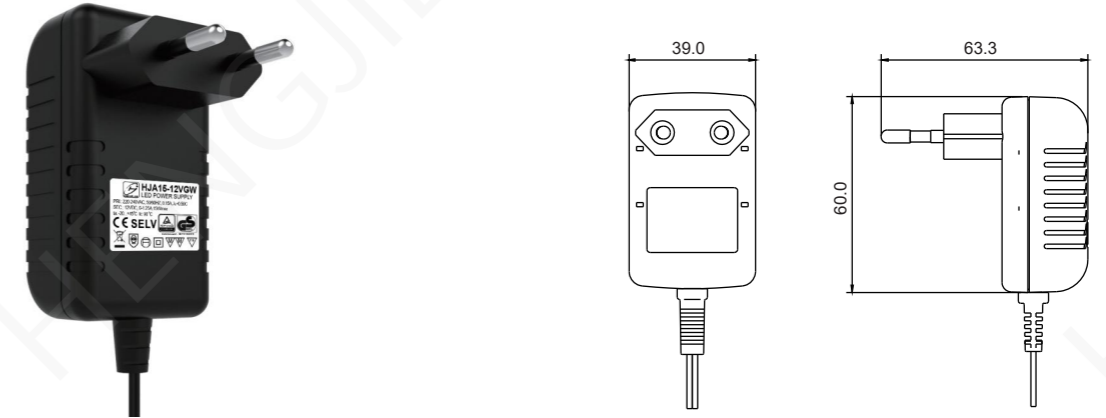
Item code	Rated input	PF	DF	No load power consumption	Efficiency	CV			CC				ta	tc	Size (L×W×H)	Approval
						Output voltage	Output power range	Tolerance	Output Current	Output voltage range	Output power range	Tolerance				
HJA8-12VGV	AC220-240V	0.50C	0.85	≤0.3W	77.5%	12VDC	0-8W	+/-5%	700mA	3-11.5V	2.1-8W	+/-8%	-20...+45°C	85°C	60×63.3×39	TUV GS
HJA8-24VGV	AC220-240V	0.50C	0.85	≤0.3W	81.0%	24VDC	0-8W	+/-5%	350mA	6-23V	2.1-8W	+/-8%	-20...+45°C	85°C	60×63.3×39	TUV GS

\* Measured at AC 230V and full load.



**PLUG-IN SERIES**  
 Ultrasmall constant voltage / constant current output

CV/CC



**Product Description**

- Independent power supply for constant voltage LED lamp
- Plug-in input and deconcentrator output
- Class II protection against electric shock for direct or indirect contact
- Fast start-up time ≤0.5s, SELV output
- Compliance to ERP directive
- Protections:
  - against open and short circuits
  - against overheating
  - against overloads
- 3-year warranty

**Safety & EMC Standard**

- Safety According to EN 61347-1, EN 61347-2-13
- EMI According to EN 55015
- EMS According to EN 61000-3-2, EN 61000-3-3, EN 61547
- EMF According to EN62493-2010
- ERP According to COMMISSION REGULATION (EU) 2019/2020

**Technic Data**

Item code	Rated input	PF	DF	No load power consumption	Efficiency	CV			CC				ta	tc	Size (L×W×H)	Approval
						Output voltage	Output power range	Tolerance	Output Current	Output voltage range	Output power range	Tolerance				
HJA15-12VGV	AC220-240V	0.50C	0.85	≤0.3W	83.0%	12VDC	0-15W	+/-5%	-	-	-	-	-20...+45°C	90°C	60×63.3×39	TUV GS
HJA15-24VGV	AC220-240V	0.50C	0.85	≤0.3W	84.0%	24VDC	0-15W	+/-5%	700mA	8-22V	5.6-15W	+/-8%	-20...+45°C	90°C	60×63.3×39	TUV GS

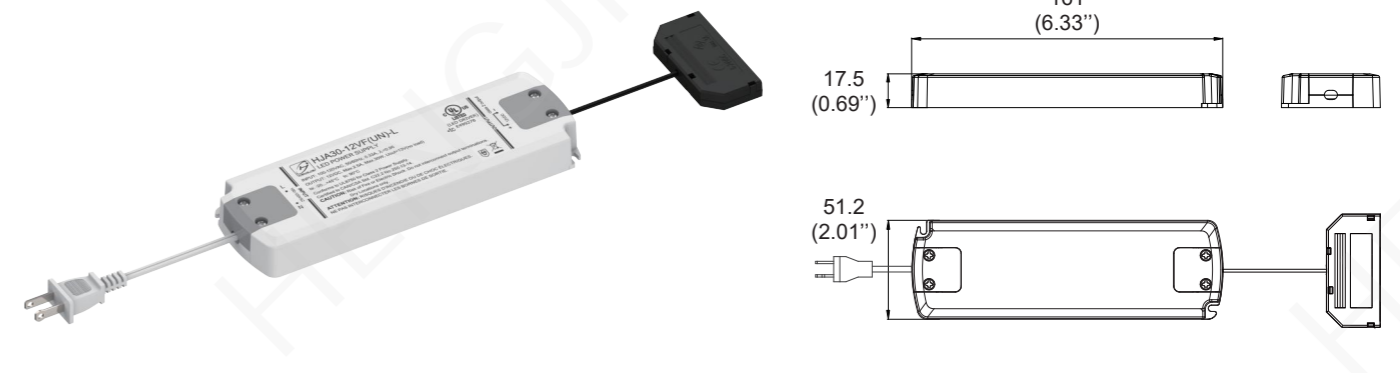
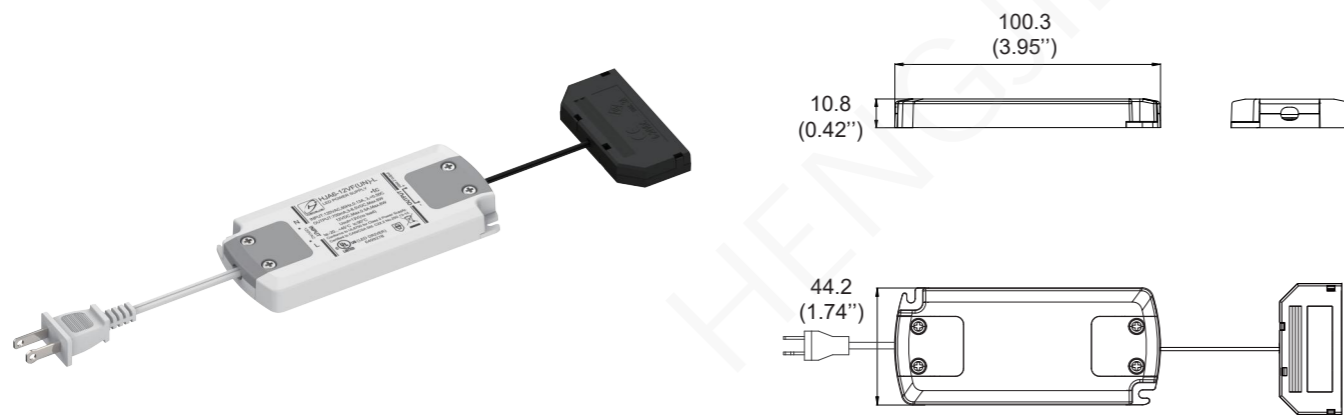
\* Measured at AC 230V and full load.





**US SERIES**  
Listed constant voltage output

**US SERIES**  
Listed constant voltage output



**Product Description**

- Input voltage(120VAC)
- Independent constant voltage LED Driver
- Ultra-thin design, the height is 10.8mm
- Fast start-up time  $\leq 0.5s$
- No load power consumption  $\leq 0.3W$
- Class2 output
- Multiple outputs optional
- Protections:
  - against open and short circuits;
  - against overheating
  - against overloads.
- 5-years warranty

**Product Description**

- Input voltage(100-120VAC)
- Independent constant voltage LED Driver
- Ultra-thin design, the height is 17.5mm
- Fast start-up time  $\leq 0.5s$
- No load power consumption  $\leq 0.3W$
- Class2 output
- Multiple outputs optional
- Protections:
  - against open and short circuits;
  - against overheating
  - against overloads.
- 5-years warranty

**Safety & EMC Standard**

- Safety According to UL 1310 UL 8750
- EMI According to FCC part15B

**Safety & EMC Standard**

- Safety According to UL 1310 UL 8750
- EMI According to FCC part15B

**Technic Data**

Item code	Rated input	PF	DF	No load power consumption	Efficiency	CV			CC			ta	tc	Size (L×W×H)	Approval	
						Output voltage	Output power range	Tolerance	Output Current	Output voltage range	Output power range					Tolerance
HJA6-12VF(UN)-L	AC120V	0.60C	0.85	$\leq 0.3W$	76.6%	12VDC	0-6W	+/-5%	700mA	3-8.5VDC	2.1-6W	+/-8%	-20...+45°C	85°C	100×44×10.8	UL CUL
HJA6-24VF(UN)-L	AC120V	0.60C	0.85	$\leq 0.3W$	78.8%	24VDC	0-6W	+/-5%	350mA	6-17VDC	2.1-6W	+/-8%	-20...+45°C	85°C	100×44×10.8	UL CUL

\* Parameters measured at AC120V and full load.



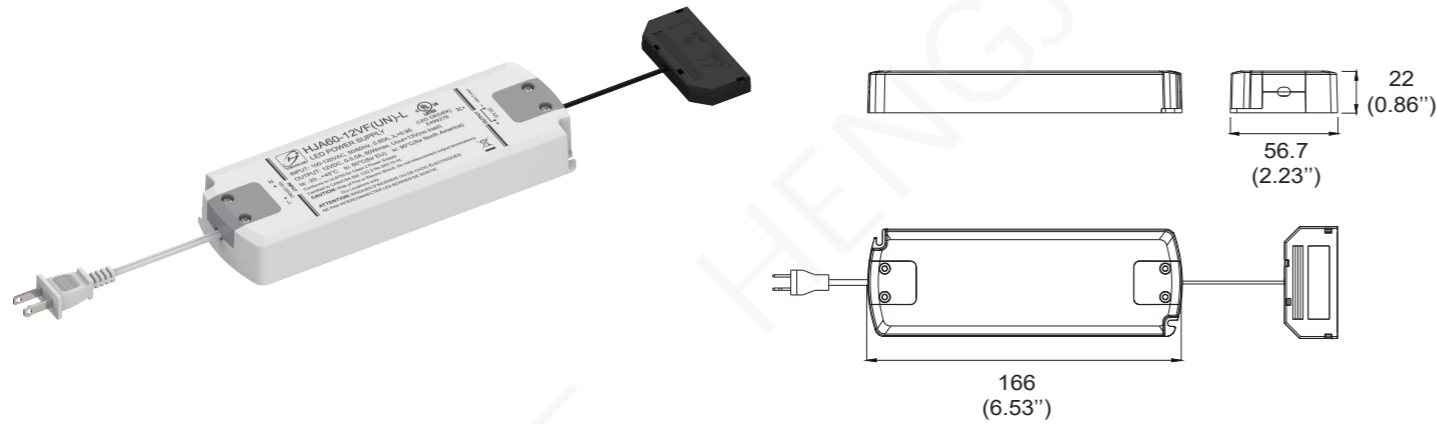
**Technic Data**

Item code	Rated input	PF	No load power consumption	Output	Output power range	Tolerance	Efficiency	ta	tc	Size (L×W×H)	Approval
HJA30-24VF(UN)-L	AC100-120V	0.95	$\leq 0.3W$	24VDC	0-30W	+/-5%	85.6%	-20...+45°C	90°C	161×51.2×17.5	UL CUL

\* Parameters measured at AC120V and full load.



**US SERIES**  
Listed constant voltage output



**Product Description**

- Input voltage(100-120VAC)
- Independent constant voltage LED Driver
- Ultra-thin design, the height is 22mm
- Fast start-up time  $\leq 0.5s$
- No load power consumption  $\leq 0.3W$
- Class2 output
- Multiple outputs optional
- Protections:
  - against open and short circuits;
  - against overheating
  - against overloads.
- 5-years warranty

**Safety & EMC Standard**

- Safety According to UL 1310 UL 8750
- EMI According to FCC part15B

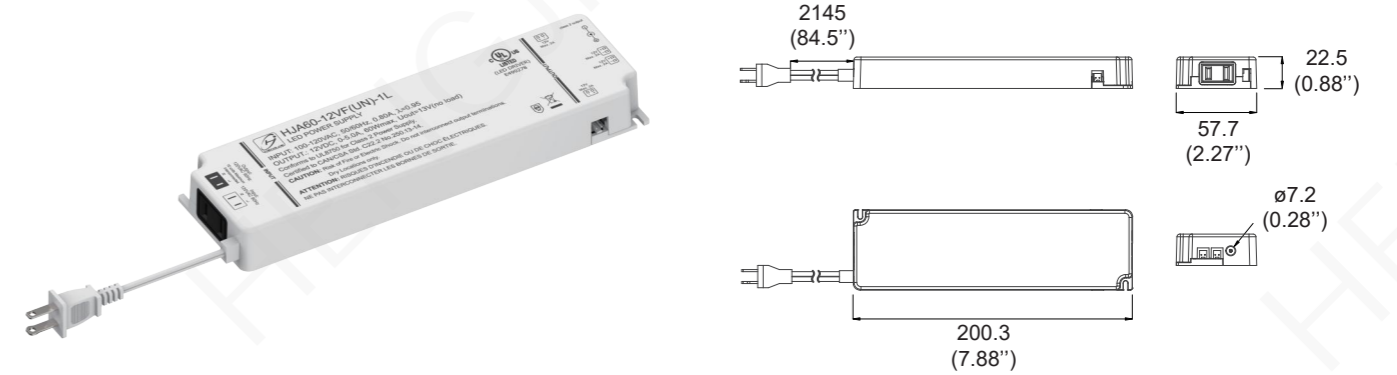
**Technic Data**

Item code	Rated input	PF	No load power consumption	Output	Output power range	Tolerance	Efficiency	ta	tc	Size (L×W×H)	Approval
HJA60-12VF(UN)-L	AC100-120V	0.95	$\leq 0.5W$	12VDC	0-60W	+/-5%	88.0%	-20...+45°C	90°C	166×56.7×22	UL CUL
HJA75-24VF(UN)-L	AC100-120V	0.95	$\leq 0.5W$	24VDC	0-75W	+/-5%	89.0%	-20...+45°C	90°C	166×56.7×22	UL CUL

\* Parameters measured at AC120V and full load.



**US SERIES**  
Listed constant voltage output



**Product Description**

- Input voltage(100-120VAC)
- Independent constant voltage LED Driver
- Ultra-thin design, the height is 22.5mm
- Input use AC inlet and output use DC jack or socket for quick connection
- Input interconnect additional up to maximum 24 drivers(30W series) and maximum 10 drivers(60W/75W)
- Full protection functions with automatic recovery feature
- Fast start-up time  $\leq 0.5s$
- No load power consumption  $\leq 0.5W$
- Class2 output
- Multiple outputs optional
- Protections:
  - against open and short circuits;
  - against overheating
  - against overloads.
- 5-years warranty

**Safety & EMC Standard**

- Safety According to UL 1310 UL 8750
- EMI According to FCC part15B

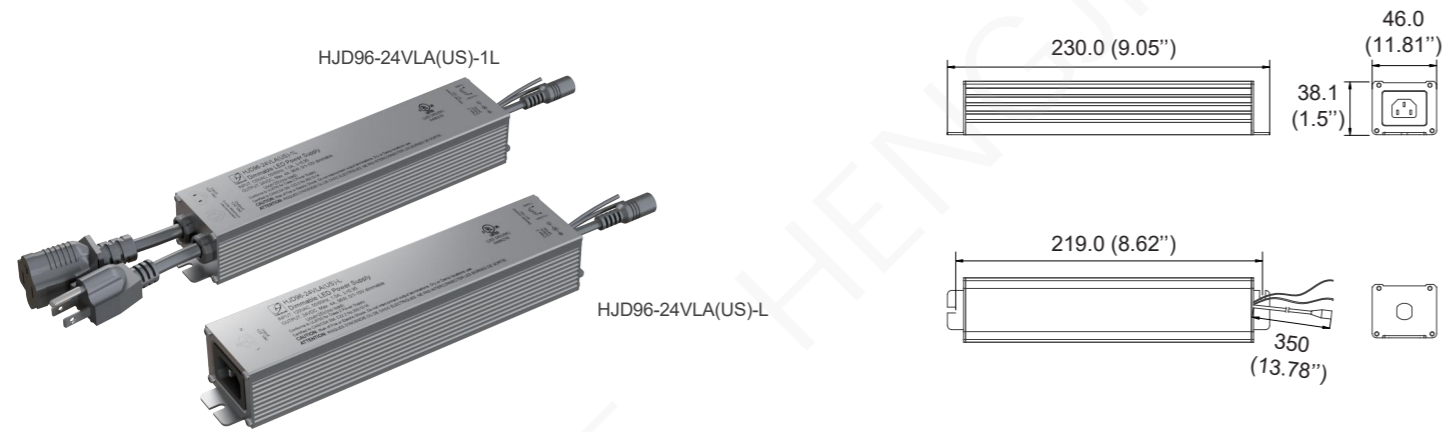
**Technic Data**

Item code	Rated input	PF	DF	No load power consumption	Output	Output power range	Tolerance	Efficiency	ta	tc	Size (L×W×H)	Approval
HJA30-12VF(UN)-1L	AC100-120V	0.95	0.95	$\leq 0.3W$	12VDC	0-30W	+/-5%	84.3%	-20...+45°C	90°C	200×57.7×22.5	UL CUL
HJA30-24VF(UN)-1L	AC100-120V	0.95	0.95	$\leq 0.3W$	24VDC	0-30W	+/-5%	85.6%	-20...+45°C	90°C	200×57.7×22.5	UL CUL
HJA60-12VF(UN)-1L	AC100-120V	0.95	0.95	$\leq 0.5W$	12VDC	0-60W	+/-5%	88.0%	-20...+45°C	90°C	200×57.7×22.5	UL CUL
HJA75-24VF(UN)-1L	AC100-120V	0.95	0.95	$\leq 0.5W$	24VDC	0-75W	+/-5%	89.0%	-20...+45°C	90°C	200×57.7×22.5	UL CUL

\* Parameters measured at AC120V and full load.



**US SERIES**  
Listed constant voltage output



**Product Description**

- Input voltage(120VAC)
- Input use AC inlet for quick connection
- Input interconnect additional up to maximum 8 drivers(HJD96-24VLA(US)-1L)
- Damp locations use
- Isolation 0/1-10V dimming interface with dimming range 5%-100%
- Fast start-up time  $\leq 0.5s$
- No load power consumption  $\leq 0.5W$
- Class2 output
- Protections:
  - against open and short circuits;
  - against overheating
  - against overloads.
- 5-years warranty

**Safety & EMC Standard**

- Safety According to UL 1310 UL 8750
- EMI According to FCC part15B

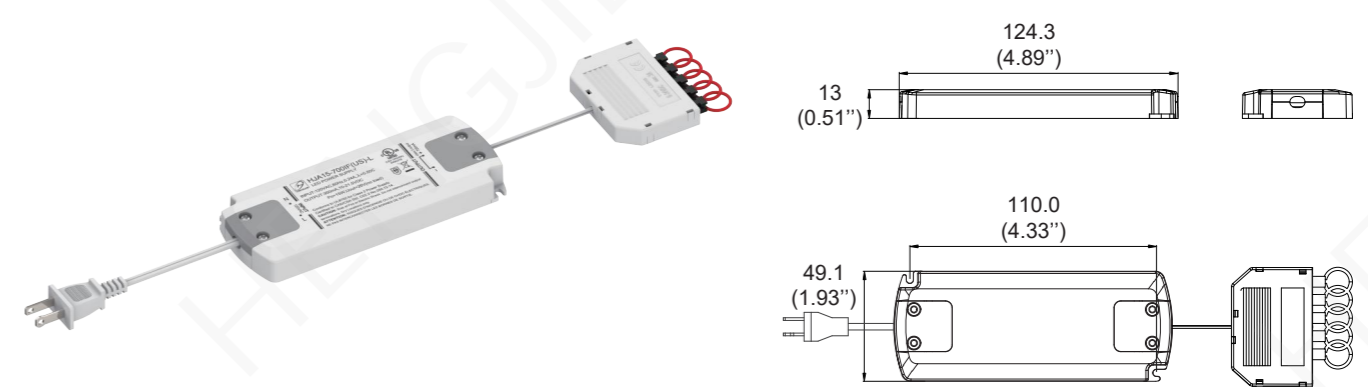
**Technic Data**

Item code	Rated input	PF	No load power consumption	Output	Output power range	Tolerance	Efficiency	ta	tc	Size (LxWxH)	Approval
HJD96-24VLA(US)-L	AC120V	0.95	$\leq 0.5W$	24VDC	0-96W	+/-5%	90.0%	-20...+45°C	85°C	230x46x38.1	UL CUL
HJD96-24VLA(US)-1L	AC120V	0.95	$\leq 0.5W$	24VDC	0-96W	+/-5%	90.0%	-20...+45°C	85°C	219x46x38.1	UL CUL

\* Parameters measured at AC120V and full load.



**US SERIES**  
Listed constant current output



**Product Description**

- Input voltage(120VAC)
- Constant current LED Driver
- Ultra-thin design, the height is 12.8mm
- Fast start-up time  $\leq 0.5s$
- No load power consumption  $\leq 0.3W$
- Class2 output
- Multiple outputs optional
- Protections:
  - against open and short circuits;
  - against overheating
  - against overloads.
- 5-years warranty

**Safety & EMC Standard**

- Safety According to UL 1310 UL 8750
- EMI According to FCC part15B

**Technic Data**

Item code	Rated input	PF	DF	No load power consumption	Output Current	Output voltage range	Output power range	Tolerance	Efficiency	ta	tc	Size (LxWxH)	Approval
HJA10-700IF(US)-L	AC120V	0.50C	0.85	$\leq 0.3W$	700mA	7-14VDC	5-10W	+/-8%	82.5%	-20...+45°C	90°C	124x49x13	UL CUL
HJA12-350IF(US)-L	AC120V	0.50C	0.85	$\leq 0.3W$	350mA	16-34VDC	6-12W	+/-8%	85.8%	-20...+45°C	90°C	124x49x13	UL CUL
HJA15-700IF(US)-L	AC120V	0.50C	0.85	$\leq 0.3W$	700mA	10-21.5VDC	7-15W	+/-8%	84.0%	-20...+45°C	90°C	124x49x13	UL CUL
HJA10-700IF(US)-1L	AC120V	0.50C	0.85	$\leq 0.3W$	700mA	1-14VDC	0.7-10W	+/-8%	75.6%	-20...+45°C	85°C	124x49x13	UL CUL
HJA12-350IF(US)-1L	AC120V	0.50C	0.85	$\leq 0.3W$	350mA	1-34VDC	0.5-12W	+/-8%	79.1%	-20...+45°C	80°C	124x49x13	UL CUL
HJA15-700IF(US)-1L	AC120V	0.50C	0.85	$\leq 0.3W$	700mA	1-21.5VDC	0.7-15W	+/-8%	78.6%	-20...+45°C	90°C	124x49x13	UL CUL

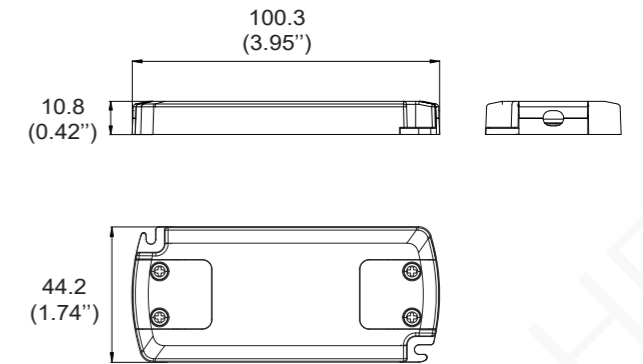
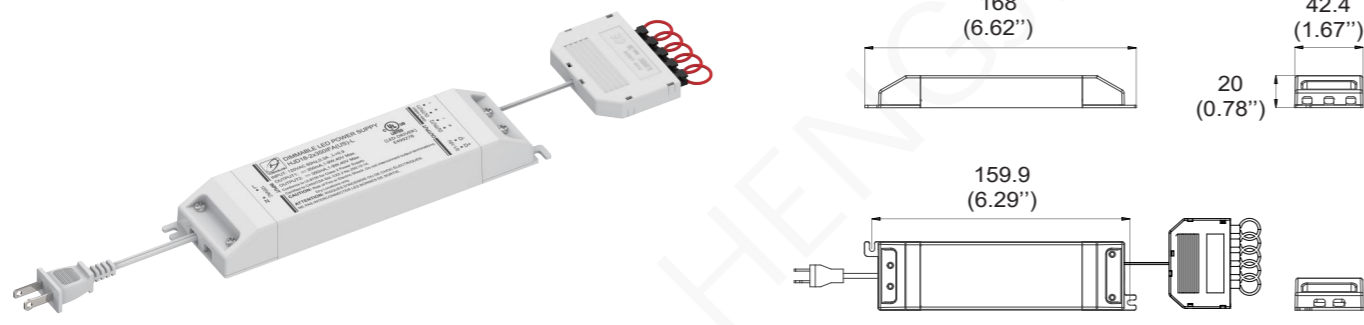
\* Parameters measured at AC120V and full load.





**US SERIES**  
Listed constant current output

**US SERIES**  
CLASS P Listed constant voltage output



**Product Description**

- Input voltage(120VAC)
- Independent constant current LED Driver
- Ultra-thin design, the height is 20mm
- Fast start-up time  $\leq 0.5s$
- No load power consumption  $\leq 0.3W$
- Class2 output
- Isolation 0/1-10V dimming interface with dimming range 5%-100%
- Protections:
  - against open and short circuits;
  - against overheating
  - against overloads.
- 5-years warranty

**Product Description**

- Universal input voltage
- Independent constant voltage LED Driver
- Terminal block for quick connection
- Driver can be secured with slot for screws
- Ultra-thin design, the height is 10.8mm
- Fast start-up time  $\leq 0.5s$
- No load power consumption  $\leq 0.3W$
- Class2 output, SELV output
- Protections:
  - against open and short circuits;
  - against overheating
  - against overloads.
- 5-years warranty

**Safety & EMC Standard**

- Safety According to UL 1310 UL 8750
- EMI According to FCC part15B

**Safety & EMC Standard**

- Safety According to EN 61347-1,EN 61347-2-13 UL 1310 UL 8750
- EMI According to EN 55015 FCC part15B
- EMS According to EN 61000-3-2,EN 61000-3-3,EN 61547
- EMF According to EN62493-2010
- ERP According to COMMISSION REGULATION (EU) 2019/2020

**Technic Data**

Item code	Rated input	PF	DF	No load power consumption	Output Current	Output voltage range	Output power range	Tolerance	Efficiency	ta	tc	Size (L×W×H)	Approval
HJD18-2x350IFA (US)-L	AC120V	0.95	0.95	$\leq 0.5W$	350mA×2	3-25VDC	1-18W	+/-8%	83.0%	-20...+45°C	85°C	168×42.4×20	UL CUL

\* Parameters measured at AC120V and full load.



**Technic Data**

Item code	Rated input	PF	DF	No load power consumption	Efficiency	CV			CC				ta	tc	Size (L×W×H)	Approval
						Output voltage	Output power range	Tolerance	Output Current	Output voltage range	Output power range	Tolerance				
HJA6-12VF(UN)	AC 120/220-240V	0.50C	0.85	$\leq 0.3W$	76.7%	12VDC	0-6W	+/-5%	700mA	3-8.5VDC	2.1-6W	+/-8%	-20...+45°C	90°C	100×44×10.8	UL CUL
HJA6-24VF(UN)	AC 120/220-240V	0.50C	0.85	$\leq 0.3W$	80.0%	24VDC	0-6W	+/-5%	350mA	6-17VDC	2.1-6W	+/-8%	-20...+45°C	90°C	100×44×10.8	UL CUL

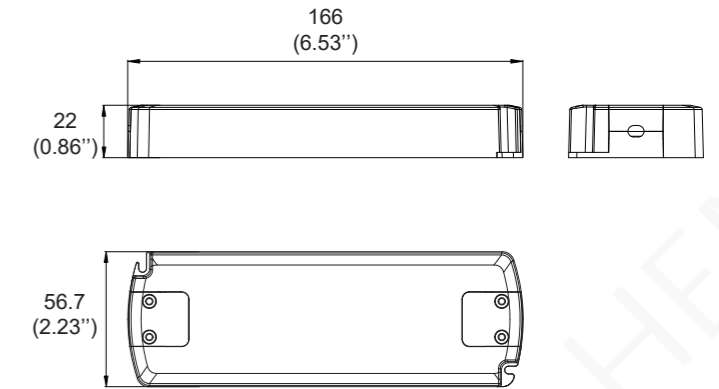
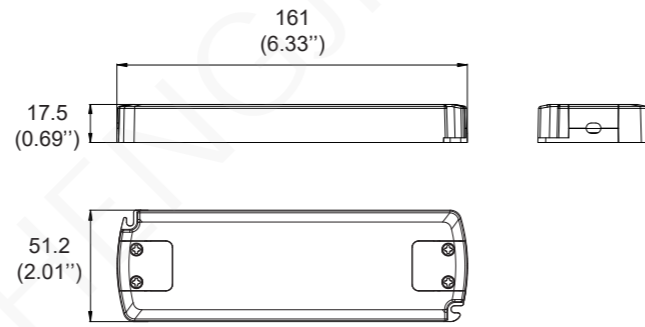
\* Parameters measured at AC230V and full load.



Under construction CB

**US SERIES**  
CLASS P Listed constant voltage output

**US SERIES**  
CLASS P Listed constant voltage output



**Product Description**

- Universal input voltage
- Independent constant voltage LED Driver
- Terminal block for quick connection
- Driver can be secured with slot for screws
- Ultra-thin design, the height is 17.5mm
- Fast start-up time  $\leq 0.5s$
- No load power consumption  $\leq 0.3W$
- Class2 output , SELV output
- Protections:
  - against open and short circuits;
  - against overheating
  - against overloads.
- 5-years warranty

**Product Description**

- Universal input voltage
- Independent constant voltage LED Driver
- Terminal block for quick connection
- Driver can be secured with slot for screws
- Ultra-thin design, the height is 22mm
- Fast start-up time  $\leq 0.5s$
- No load power consumption  $\leq 0.3W$
- Class2 output , SELV output
- Protections:
  - against open and short circuits;
  - against overheating
  - against overloads.
- 5-years warranty

**Safety & EMC Standard**

- Safety According to EN 61347-1,EN 61347-2-13 UL 1310 UL 8750
- EMI According to EN 55015 FCC part15B
- EMS According to EN 61000-3-2,EN 61000-3-3,EN 61547
- EMF According to EN62493-2010
- ERP According to COMMISSION REGULATION (EU) 2019/2020

**Safety & EMC Standard**

- Safety According to EN 61347-1,EN 61347-2-13 UL 1310 UL 8750
- EMI According to EN 55015 FCC part15B
- EMS According to EN 61000-3-2,EN 61000-3-3,EN 61547
- EMF According to EN62493-2010
- ERP According to COMMISSION REGULATION (EU) 2019/2020

**Technic Data**

Item code	Rated input	PF	No load power consumption	Output	Output power range	Tolerance	Efficiency	ta	tc	Size (L×W×H)	Approval
HJA30-12VF(UN)	AC100-120V AC220-240V	0.95	$\leq 0.3W$	12VDC	0-30W	+/-5%	84.3%	-20...+45°C	90°C	161×51.2×17.5	UL CUL
HJA30-24VF(UN)	AC100-240V AC220-240V	0.95	$\leq 0.3W$	24VDC	0-30W	+/-5%	85.6%	-20...+45°C	90°C	161×51.2×17.5	UL CUL

\* Parameters measured at AC230V and full load.



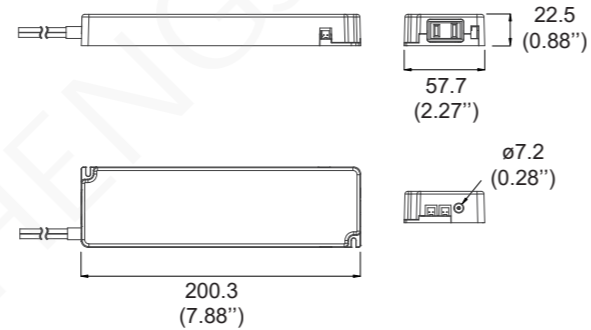
**Technic Data**

Item code	Rated input	PF	No load power consumption	Output	Output power range	Tolerance	Efficiency	ta	tc	Size (L×W×H)	Approval
HJA60-12VF(UN)	AC100-120V AC220-240V	0.95	$\leq 0.5W$	12VDC	0-60W	+/-5%	88.0%	-20...+45°C	90°C	166×56.7×22	UL CUL
HJA75-24VF(UN)	AC100-240V AC220-240V	0.95	$\leq 0.5W$	24VDC	0-75W	+/-5%	89.0%	-20...+45°C	90°C	166×56.7×22	UL CUL

Parameters measured at AC230V and full load



**US SERIES**  
CLASS P Listed constant voltage output



**Product Description**

- Universal input voltage
- Independent constant voltage LED Driver
- Ultra-thin design, the height is 22.5mm
- Fast start-up time  $\leq 0.5s$
- No load power consumption  $\leq 0.5W$
- Class2 output
- Multiple outputs optional• Protections:
  - against open and short circuits;
  - against overheating
  - against overloads.
- 5-years warranty

**Safety & EMC Standard**

- Safety According to EN 61347-1,EN 61347-2-13 UL 1310 UL 8750
- EMI According to EN 55015 FCC part15B
- EMS According to EN 61000-3-2,EN 61000-3-3,EN 61547
- EMF According to EN62493-2010
- ERP According to COMMISSION REGULATION (EU) 2019/2020

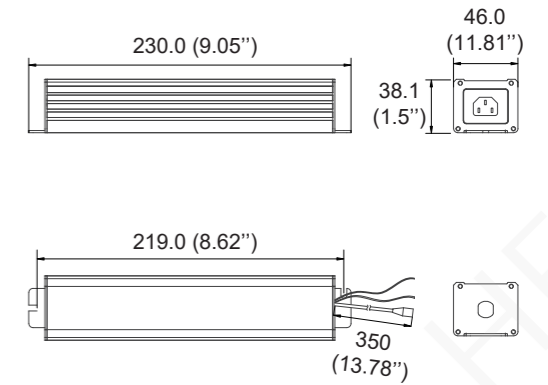
**Technic Data**

Item code	Rated input	PF	DF	No load power consumption	Output	Output power range	Tolerance	Efficiency	ta	tc	Size (L×W×H)	Approval
HJA30-12VF(UN)-1	AC100-120V AC220-240V	0.95	0.95	$\leq 0.3W$	12VDC	0-30W	$\pm 5\%$	84.8%	-20...+45°C	90°C	200×57.7×22.5	UL CUL
HJA30-24VF(UN)-1	AC100-120V AC220-240V	0.95	0.95	$\leq 0.3W$	24VDC	0-30W	$\pm 5\%$	86.5%	-20...+45°C	90°C	200×57.7×22.5	UL CUL
HJA60-12VF(UN)-1	AC100-120V AC220-240V	0.95	0.95	$\leq 0.5W$	12VDC	0-60W	$\pm 5\%$	90.0%	-20...+45°C	90°C	200×57.7×22.5	UL CUL
HJA75-24VF(UN)-1	AC100-120V AC220-240V	0.95	0.95	$\leq 0.5W$	24VDC	0-75W	$\pm 5\%$	91.0%	-20...+45°C	90°C	200×57.7×22.5	UL CUL

\* Parameters measured at AC230V and full load.



**US SERIES**  
Water-proof CLASS P Listed constant voltage output



**Product Description**

- Universal input voltage
- Damp locations use
- Isolation 0/1-10V dimming interface with dimming range 5%-100%
- Fast start-up time  $\leq 0.5s$
- No load power consumption  $\leq 0.5W$
- Class2 output• Protections:
  - against open and short circuits;
  - against overheating
  - against overloads.
- 5-years warranty

**Safety & EMC Standard**

- Safety According to EN 61347-1,EN 61347-2-13 UL 1310 UL 8750
- EMI According to EN 55015 FCC part15B
- EMS According to EN 61000-3-2,EN 61000-3-3,EN 61547
- EMF According to EN62493-2010
- ERP According to COMMISSION REGULATION (EU) 2019/2020

**Technic Data**

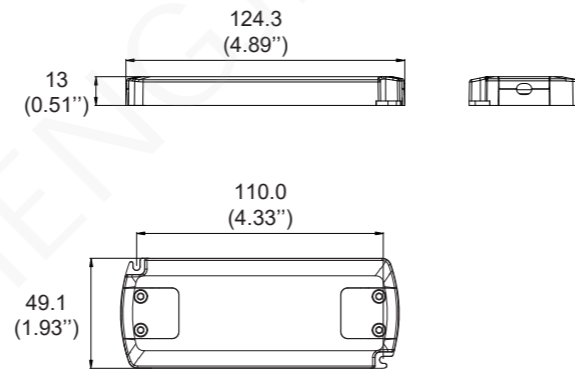
Item code	Rated input	PF	No load power consumption	Output	Output power range	Tolerance	Efficiency	ta	tc	Size (L×W×H)	Approval
HJD96-24VLA(US)-1	AC 120/220-240V	0.95	$\leq 0.5W$	24VDC	0-96W	$\pm 5\%$	90.0%	-20...+45°C	85°C	230×46×38.1	UL CUL

\* Parameters measured at AC120V and full load.





**US SERIES**  
CLASS P Listed constant current output



**Product Description**

- Input voltage(120VAC)
- Constant current LED Driver
- Terminal block for quick connection
- Driver can be secured with slot for screws
- Ultra-thin design, the height is 12.8mm
- Fast start-up time  $\leq 0.5s$
- No load power consumption  $\leq 0.3W$
- Class2 output
- Multiple outputs optional
- Protections:
  - against open and short circuits;
  - against overheating
  - against overloads.
- 5-years warranty

**Safety & EMC Standard**

- Safety According to UL 1310 UL 8750
- EMI According to FCC part15B

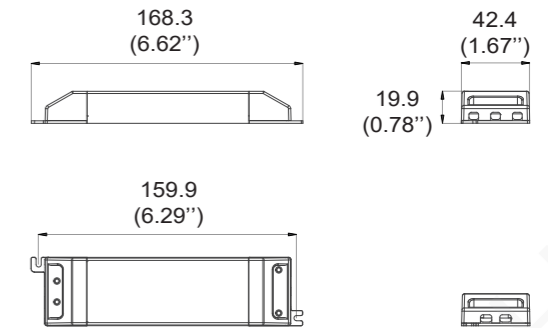
**Technic Data**

Item code	Rated input	PF	DF	No load power consumption	Output Current	Output voltage range	Output power range	Tolerance	Efficiency	ta	tc	Size (L×W×H)	Approval
HJA10-700IF(US)	AC120V	0.50C	0.85	$\leq 0.3W$	700mA	7-14VDC	5-10W	+/-8%	82.5%	-20...+45°C	90°C	124×49×13	UL CUL
HJA12-350IF(US)	AC120V	0.50C	0.85	$\leq 0.3W$	350mA	16-34VDC	6-12W	+/-8%	85.8%	-20...+45°C	90°C	124×49×13	UL CUL
HJA15-700IF(US)	AC120V	0.50C	0.85	$\leq 0.3W$	700mA	10-21.5VDC	7-15W	+/-8%	84.0%	-20...+45°C	90°C	124×49×13	UL CUL

\* Parameters measured at AC120V and full load.



**US SERIES**  
CLASS P Listed Dual constant current output



**Product Description**

- Input voltage(120VAC)
- Independent constant current LED Driver
- Terminal block for quick connection
- Driver can be secured with slot for screws
- Ultra-thin design, the height is 20mm
- Fast start-up time  $\leq 0.5s$
- No load power consumption  $\leq 0.3W$
- Class2 output
- Isolation 0/1-10V dimming interface with dimming range 5%-100%
- Protections:
  - against open and short circuits;
  - against overheating
  - against overloads.
- 5-years warranty

**Safety & EMC Standard**

- Safety According to UL 1310 UL 8750
- EMI According to FCC part15B

**Technic Data**

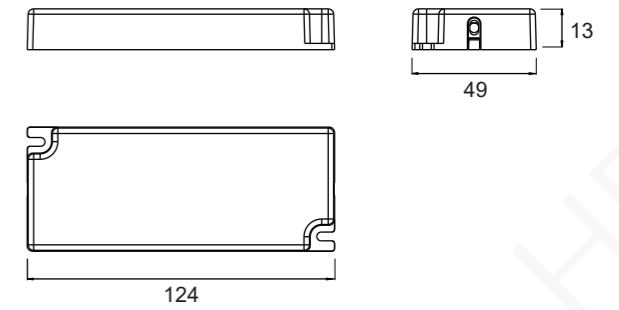
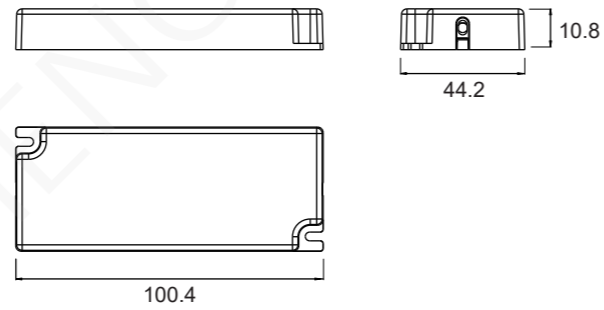
Item code	Rated input	PF	DF	No load power consumption	Output Current	Output voltage range	Output power range	Tolerance	Efficiency	ta	tc	Size (L×W×H)	Approval
HJD18-2x350IFA(US)	AC120V	0.95	0.95	$\leq 0.5W$	350mA×2	3-25VDC	1-18W	+/-8%	83.0%	-20...+45°C	85°C	168×42.4×20	UL CUL

\* Parameters measured at AC120V and full load.



**US SERIES**  
Water-proof constant voltage output

**US SERIES**  
Water-proof constant voltage output



**Product Description**

- Independent power supply for constant voltage LED lamp
- With output and input flying leads
- Class II protection against electric shock for direct or indirect contact.
- super thin size design
- IP44 water-proof design
- Fast start-up time ≤0.5s,
- class2 output, SELV output
- Protections:
  - against open and short circuits;
  - against overheating
  - against overloads.
- 3-years warranty

**Safety & EMC Standard**

- Safety According to EN 61347-1,EN 61347-2-13 UL 1310 UL 8750
- EMI According to EN 55015 FCC part15B
- EMS According to EN 61000-3-2,EN 61000-3-3,EN 61547
- EMF According to EN62493-2010
- ERP According to COMMISSION REGULATION (EU) 2019/2020

**Technic Data**

Item code	Rated input	PF	DF	No load power consumption	Output	Output power range	Tolerance	Efficiency	ta	tc	Size (L×W×H)	IP	Approval
HJP6-12VF(UN)	AC 120/220-240V	0.50C	0.85	≤0.3W	12VDC	0-6W	+/-5%	78.0%	-20...+50°C	75°C	100×44×10.8	44	CE
HJP6-24VF(UN)	AC 120/220-240V	0.50C	0.85	≤0.3W	24VDC	0-6W	+/-5%	80.5%	-20...+50°C	75°C	100×44×10.8	44	CE

\* Parameters measured at AC230V and full load.



**Product Description**

- Independent power supply for constant voltage LED lamp
- With output and input flying leads
- Class II protection against electric shock for direct or indirect contact.
- super thin size design
- IP44 water-proof design
- Fast start-up time ≤0.5s,
- class2 output, SELV output
- Protections:
  - against open and short circuits;
  - against overheating
  - against overloads.
- 3-years warranty

**Safety & EMC Standard**

- Safety According to EN 61347-1,EN 61347-2-13 UL 1310 UL 8750
- EMI According to EN 55015 FCC part15B
- EMS According to EN 61000-3-2,EN 61000-3-3,EN 61547
- EMF According to EN62493-2010
- ERP According to COMMISSION REGULATION (EU) 2019/2020

**Technic Data**

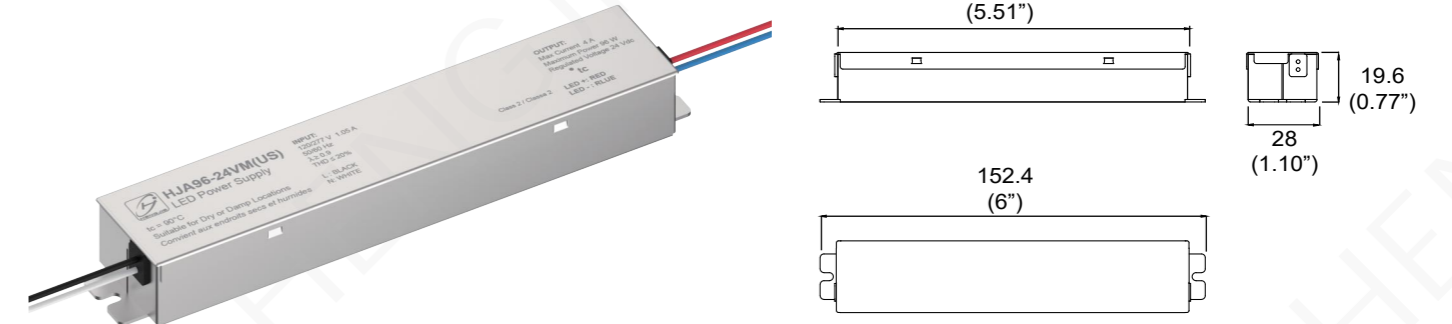
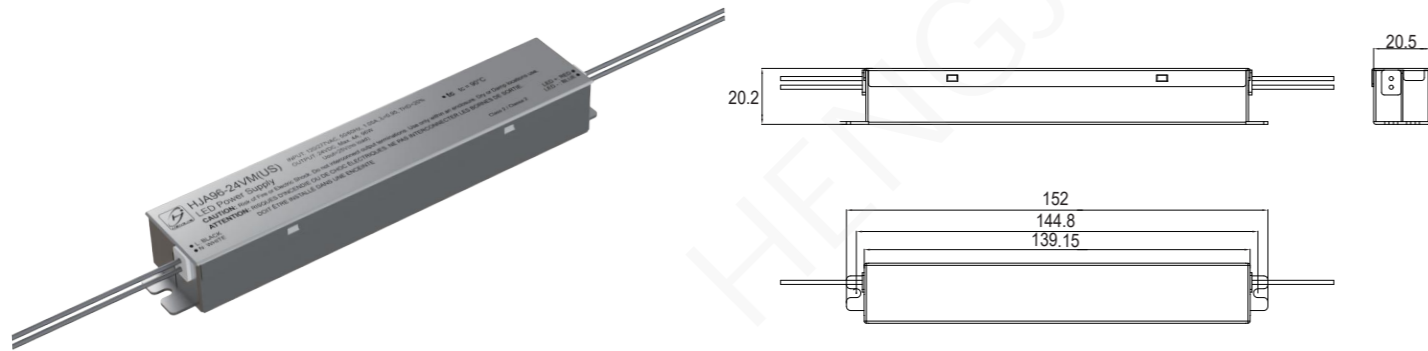
Item code	Rated input	PF	DF	No load power consumption	Output	Output power range	Tolerance	Efficiency	ta	tc	Size (L×W×H)	IP	Approval
HJP30-12VF(UN)	AC 120/220-240V	0.95	0.95	≤0.3W	12VDC	0-30W	+/-5%	83.5%	-20...+45°C	85°C	124×49×13	44	CE
HJP15-24VF(UN)	AC 120/220-240V	0.95	0.95	≤0.3W	24VDC	0-30W	+/-5%	84.5%	-20...+45°C	85°C	124×49×13	44	CE

\* Parameters measured at AC230V and full load.



**US SERIES**  
Ultra high power density series

**US SERIES**  
Ultra high power density series



**Product Description**

- Independent power supply for constant voltage LED lamp
- With output and input flying leads
- Metal case with Class II protection against electric shock for direct or indirect contact.
- Ultra high power density design
- Smaller size design
- Damp locations use
- Fast start-up time  $\leq 0.5s$ ,
- Class 2 output.
- Protections:
  - against open and short circuits;
  - against overheating
  - against overloads.
- 5-years warranty

**Product Description**

- Independent power supply for constant voltage LED lamp
- With output and input flying leads
- Metal case with Class II protection against electric shock for direct or indirect contact.
- Ultra high power density design
- Smaller size design
- Damp locations use
- Fast start-up time  $\leq 0.5s$ ,
- Class 2 output.
- Protections:
  - against open and short circuits;
  - against overheating
  - against overloads.
- 5-years warranty

**Safety & EMC Standard**

- Safety According to UL 1310 UL 8750
- EMI According to FCC part15B

**Safety & EMC Standard**

- Safety According to UL 1310 UL 8750
- EMI According to FCC part15B

**Technic Data**

Item code	Rated input	PF	DF	No load power consumption	Output	Output power range	Tolerance	Efficiency	ta	tc	Size (L×W×H)	Approval
HJA60-12VM(US)	AC120/277V	0.90	0.95	$\leq 0.5W$	12VDC	0-60W	+/-5%	89%	-20...+45°C	80°C	152×20×20	-
HJA60-24VM(US)	AC120/277V	0.90	0.95	$\leq 0.5W$	24VDC	0-60W	+/-5%	90%	-20...+45°C	80°C	152×20×20	-

\* Parameters measured at AC120V and full load.



**Technic Data**

Item code	Rated input	PF	DF	No load power consumption	Output	Output power range	Tolerance	Efficiency	ta	tc	Size (L×W×H)	Approval
HJA96-24VM(US)	AC120/277V	0.95C	0.95	$\leq 0.6W$	24VDC	0-96W	+/-5%	90.0%	-	90°C	152×28×19.6	-

\* Measured at AC 120V and full load.





## LED POWER SUPPLY LIST

SERIES	ITEM	ITEM CODE
<b>Advance series</b>	Linear constant voltage output	HJA30-12VL HJA30-24VL
		HJA45-12VL HJA45-24VL
		HJA60-12VL HJA60-24VL HJA30-12VL(UN) HJA30-24VL(UN)
		HJA75-12VL HJA75-24VL
		HJA100-12VL HJA100-24VL HJA60-12VL(UN) HJA75-24VL(UN)
		HJA120-12VL HJA120-24VL
		HJA150-12VL HJA160-24VL
		HJA200-24VL HJA200-48VL
	Intelligent constant voltage output	HJD75-12VFM HJD75-24VFM
		HJD100-12VFM HJD100-24VFM
	Multi-function constant voltage output	HJD15-24VLM
		HJD30-24VLM HJD40-24VLM
		HJD60-24VLM HJD75-24VLM HJD100-24VLM HJD120-24VLM
		HJD150-24VLM
	<b>Standard series</b>	Ultrathin constant voltage / constant current output
Intelligent constant voltage output		HJA15-12VF-1 HJA15-24VF-1
		HJA20-12VF-1 HJA20-24VF-1
		HJA30-12VF-1 HJA30-24VF-1
		HJA75-12VF-1 HJA75-24VF-1
		HJA100-12VF HJA100-24VF
Water-proof constant voltage output		HJP6-12VF HJP6-24VF
		HJP15-12VF HJP15-24VF
		HJP30-12VF HJP30-24VF
Phase cut dimming constant voltage output		HJD50-12VFT HJD50-24VFT
		HJP30-12VFT HJP30-24VFT
Metal-waterproof constant voltage output	HJA240-24VL	
<b>Basic series</b>	Ultrasmall constant voltage / constant current output	HJA8-12VG HJA8-24VG
	Ultrasmall constant voltage output	HJA15-12VG HJA15-24VG
		HJA20-12VG HJA20-24VG
	Ultrathin constant voltage / constant current output	HJA6-12VF-2 HJA6-24VF-2
	Ultrathin constant voltage output	HJA15-12VF-2 HJA15-24VF-2
<b>Plug-In series</b>	Ultrasmall constant voltage / constant current output	HJA8-12VGW HJA8-24VGW
		HJA15-12VGW HJA15-24VGW
<b>US series</b>	Listed constant voltage output	HJA6-12VF(UN)-L HJA6-24VF(UN)-L
		HJA30-12VF(UN)-L HJA30-24VF(UN)-L
		HJA60-12VF(UN)-L HJA75-24VF(UN)-L
		HJA30-12VF(UN)-1L HJA30-24VF(UN)-1L
		HJA60-12VF(UN)-1L HJA75-24VF(UN)-1L
		HJD96-24VLA(US)-L
		HJD96-24VLA(US)-1L
	Listed constant current output	HJA10-700IF (US) -L HJA12-350IF (US) -L HJA15-700IF (US) -L
		HJA10-700IF(US)-1-L HJA12-350IF(US)-1-L HJA15-700IF(US)-1-L
	CLASS P Listed constant voltage output	HJD18-2x350IFA-L
		HJA6-12VF(UN) HJA6-24VF(UN)
		HJA30-12VF(UN) HJA30-24VF(UN)
		HJA60-12VF(UN) HJA75-24VF(UN)
		HJA30-12VF(UN)-1 HJA30-24VF(UN)-1
	HJA60-12VF(UN)-1 HJA75-24VF(UN)-1	

## LED POWER SUPPLY LIST

SERIES	ITEM	ITEM CODE
<b>US series</b>	CLASS P Listed constant current output	HJA10-700IF (US) HJA12-350IF (US) HJA15-700IF (US)
		HJD18-2x350IFA
	Water-proof constant voltage output	HJP6-12VF (UN) HJP6-24VF (UN)
		HJP30-12VF (UN) HJP30-24VF (UN)
	Ultra high power density series	HJA96-24VM(US)
	HJA60-12VM(US) HJA60-24VM(US)	

# Control Series

The application of sensor control technology like PIR sensor, IR sensor and Radar sensor makes the cabinet lighting system more intelligent.

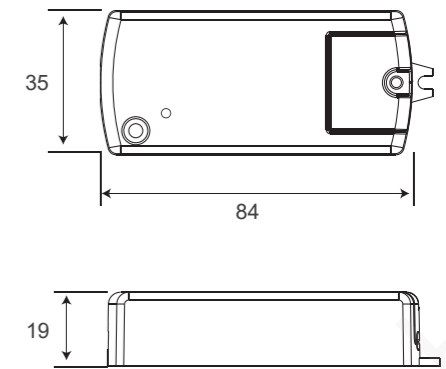




# MOTION CONTROLLER

- PIR sensor controller
- Microwave sensor controller

## MOTION CONTROLLER PIR sensor controller



### Product Description

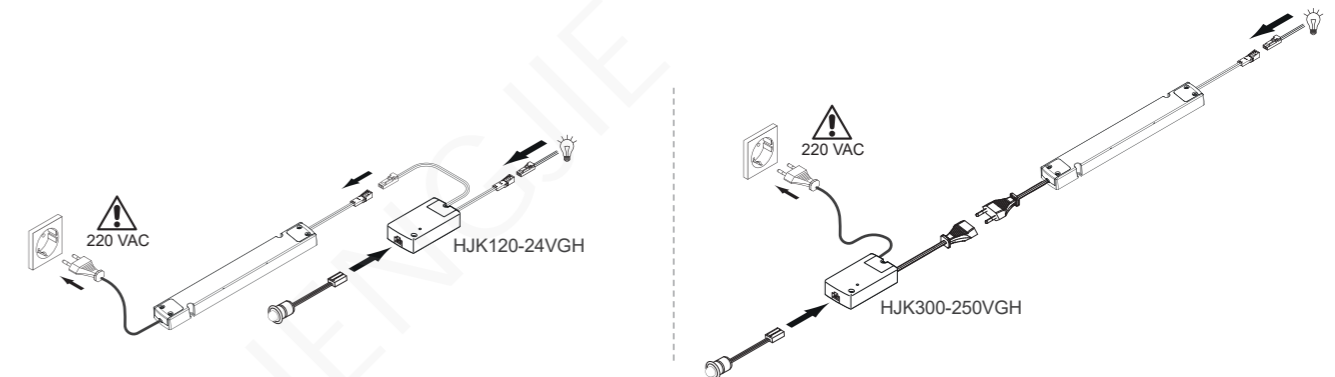
- Human-body detection: when people moving in the detection area, light turn on. After the set time, if there is no any motion detecting, light turn off
- Terminal block for quick connection
- Optional Sensor
- Delay time can be set from 10 sec to 3min.
- HJK300-250VGH LED load power: Max.300W
- HJK120-24VGH LED load power: 12V:Max.60W, 24V:Max.120W
- 5-year warranty

### Safety & EMC Standard

- Safety According to EN 61347-1, EN61347-2-11 and EN61058-1
- EMC According to EN 301489-1/3
- RF According to EN 300440

### Product Installation

- Sensor head with recessed mounting, controller with surface mounting.
- PIR sensor(HJS-PIR) hole Opening Diameter:  $\varnothing 17\text{mm}$
- HJK120-24VGH need to match the driver to use.

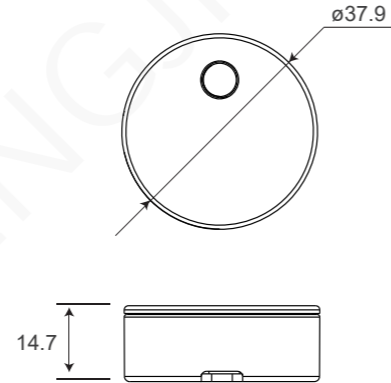


### Technic Data

Item code	Rated input	Power	Rated Current	Angle	Detection Range (Depend on sensor)	Delay Time	ta	tc	Size (L×W×H)	Approval
HJK300-250VGH	100-240VAC	300W	1.25A	-	1-3m	10-180s	-20...+50°C	60°C	84×35×19	CE
HJK120-24VGH	12/24 VDC	60/120W	5A	-	1-3m	10-180s	-20...+50°C	60°C	84×35×19	CE



**MOTION CONTROLLER**  
Microwave sensor controller



**Product Description**

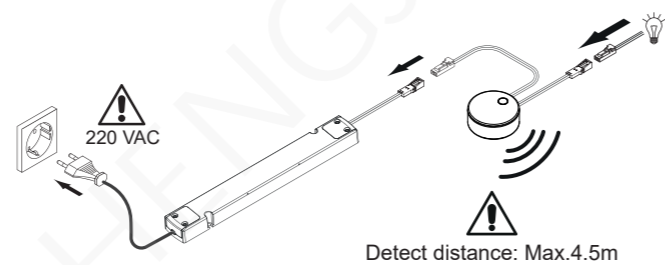
- LifeBeing detect: Integrated 24G microwave sensor with breathing, final motion and moving detection function
- Built-in ambient light detect
- Configurable Dimming down function In the delay time when people leave
- Delay time, sensing distance and ambient light can be set by dip switch.
- LED load power: 12V:Max.36W 24V:Max.72W
- 5-year warranty

**Safety & EMC Standard**

- Safety According to EN 61347-1, EN61347-2-11 and EN61058-1
- EMC According to EN 301489-1/3
- RF According to EN 300440

**Product Installation**

- Installation: Recessed and surface mounted

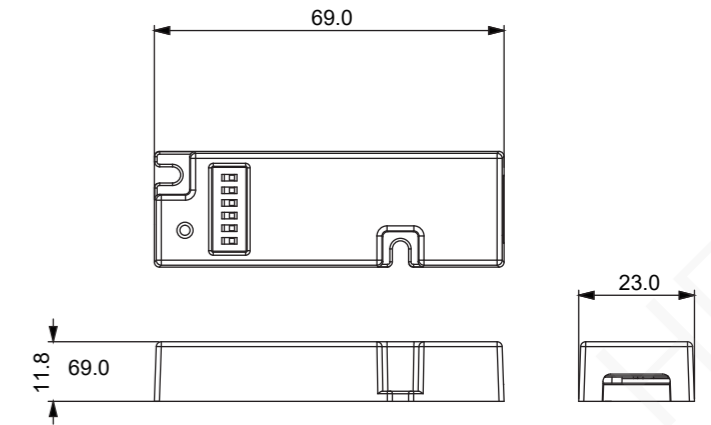


**Technic Data**

Item code	Rated input	Power	Rated Current	Angle	Detection Range	Operating Frequency	ta	tc	Size (L×W×H)	Approval
HJK72-24VFU	12/24 VDC	36/72W	3A	90°	Max.4.5m	24G	-20...+50°C	60°C	37.9×14.7	CE



**MOTION CONTROLLER**  
Microwave sensor controller



**Product Description**

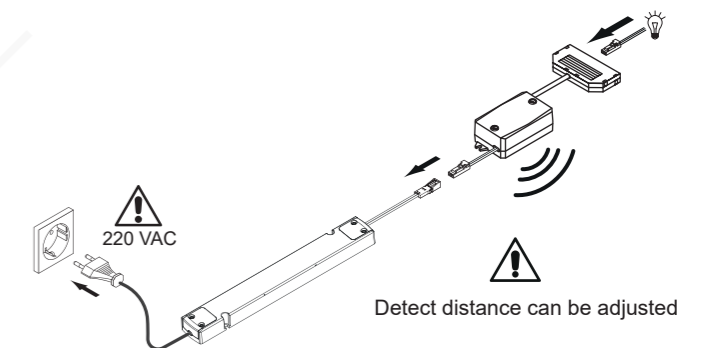
- Microwave detection: when people moving in the detection area, light turn on; When human-body leaves the detection range or no motion detected in the detection range, light turn off.
- Detection range can be adjusted by potentiometer
- Terminal block for quick connection
- LED load power: 12V:Max.60W 24V:Max.120W
- 5-year warranty

**Safety & EMC Standard**

- Safety According to EN 61347-1, EN61347-2-11 and EN61058-1
- EMC According to EN 301489-1/3
- RF According to EN 300440

**Product Installation**

- Side sensing, suitable for top and low cabinet applications.
- Used for integral cloakroom, cabinet, study, etc.



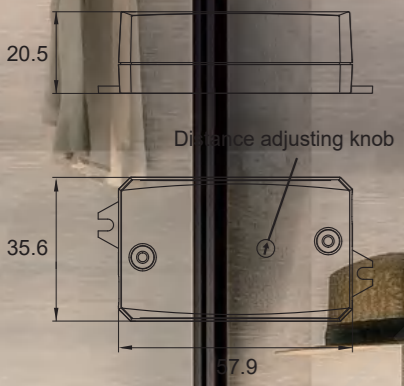
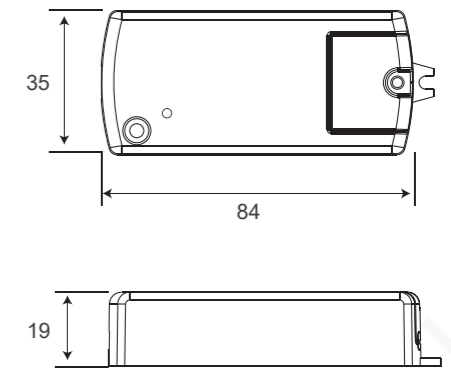
**Technic Data**

Item code	Rated input	Power	Rated Current	Angle	Detection Range	Operating Frequency	ta	tc	Size (L×W×H)	Approval
HJK120-24VFU	12/24 VDC	60/120W	5A	-	1-15m	5.8G	-20...+50°C	60°C	69×23×12	CE





TOUCHLESS CONTROLLER  
IR sensor controller



Product Description

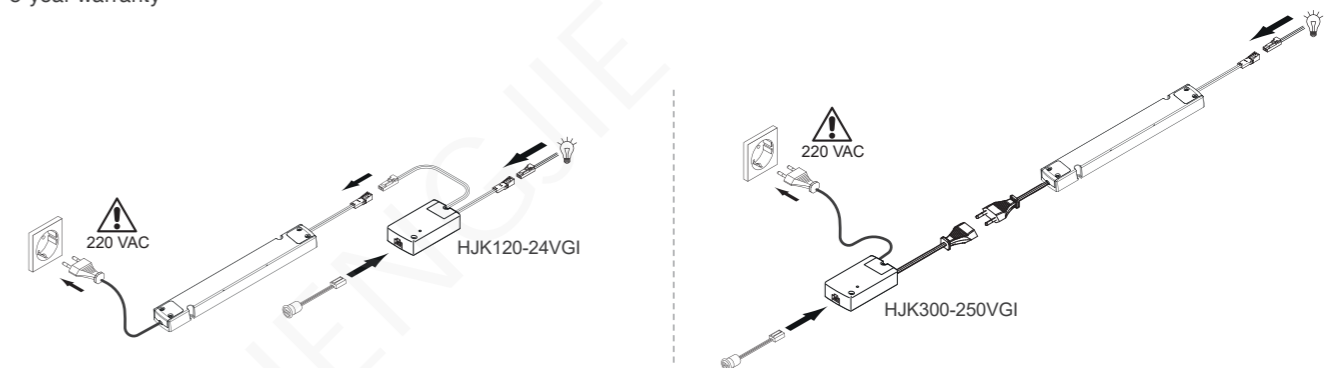
- Infrared detection: When open the door, light turn on; when close the door, light turn off
- Terminal block for quick connection
- Optional Sensor
- HJK300-250VGI LED load power: Max.300W
- HJK120-24VGI LED load power: 12V:Max.60W, 24V:Max.120W
- With 2 selectable function (change by push the function set button) : "Door switch function" and "Wave control function"
- Detection range:4-12mm is recommended
- Memory function: Light will return to last setting before shut off.
- Delay Time: after 10 minutes close, When the door is always open
- 5-year warranty

Safety & EMC Standard

- Safety According to EN 61347-1, EN61347-2-11 and EN61058-1
- EMC According to EN 301489-1/3
- RF According to EN 300440

Product Installation

- Sensor head with recessed mounting, receiver with surface mounting.
- IR sensor (HJS-IR1) hole Opening Diameter:  $\phi$ 14mm  
(HJS-IR2) hole Opening Diameter:  $\phi$ 10mm  
(HJS-IR3) hole Opening Diameter:  $\phi$ 10mm



Technic Data

Item code	Rated input	Power	Rated Current	Angle	Detection Range (Depend on sensor)	Delay Time	ta	tc	Size (L×W×H)	Approval
HJK300-250VGI	100-240VAC	300W	1.25A	-	5-10cm	-	-20...+50°C	60°C	84×35×19	CE
HJK120-24VGI	12/24 VDC	60/120W	5A	-	5-10cm	[a]	-20...+50°C	60°C	84×35×19	CE

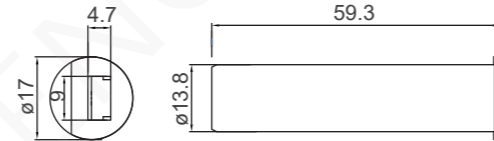
\* [a]: After 20 minutes close, When the door is always open.



TOUCHLESS CONTROLLER  
- IR sensor controller



**TOUCHLESS CONTROLLER**  
IR sensor controller



**Product Description**

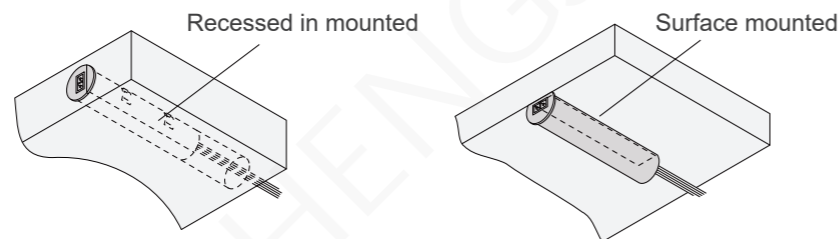
- Infrared detection: When open the door, light turn on; when close the door, light turn off
- Wave control function: Wave hand first time, switch light on; wave hand second time, switch light off; wave hand third time, switch light on again (and so on...)
- Detection range: 5-10mm is recommended
- LED load power: 12V:Max.36W 24V:Max.72W
- 5-year warranty

**Safety & EMC Standard**

- Safety According to EN 61347-1, EN61347-2-11 and EN61058-1
- EMC According to EN 301489-1/3
- RF According to EN 300440

**Product Installation**

- Installation: Recessed and surface mounted
- Recessed in mounted: hole Opening Diameter:  $\phi 14 \times 59\text{mm}$

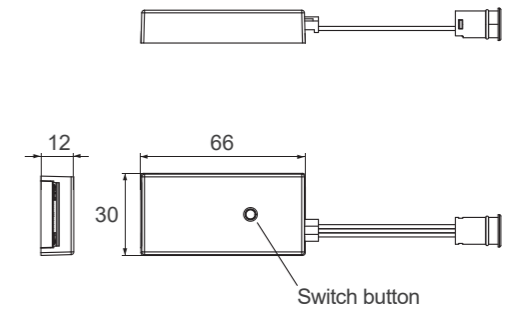


**Technic Data**

Item code	Rated input	Power	Rated Current	Angle	Detection Range (Depend on sensor)	Delay Time	ta	tc	Size (LxWxH)	Approval
HJK72-24VGI-1	12/24 VDC	36/72W	3A	-	5-10cm	-	-20...+50°C	60°C	59.3x17x17	CE



**TOUCHLESS CONTROLLER**  
IR sensor controller



**Product Description**

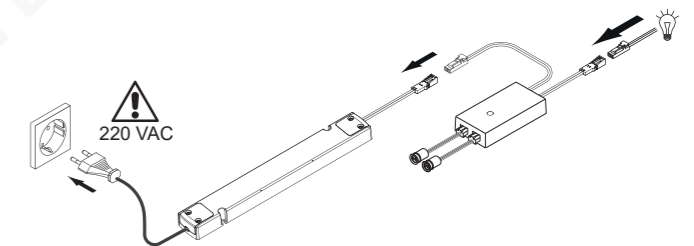
- Wave control function: Wave hand first time, switch light on; wave hand second time, switch light off; wave hand third time, switch light on again (and so on...)
- Dimming for CCT
- Optional Sensor
- Detection range: 4-12mm is recommended
- LED load power: 12V:Max.60W 24V:Max.120W
- 5-year warranty

**Safety & EMC Standard**

- Safety According to EN 61347-1, EN61347-2-11 and EN61058-1
- EMC According to EN 301489-1/3
- RF According to EN 300440

**Product Installation**

- Sensor head with recessed mounting, receiver with surface mounting.
- IR sensor (HJS-IR1) hole Opening Diameter:  $\phi 14\text{mm}$   
(HJS-IR2) hole Opening Diameter:  $\phi 10\text{mm}$   
(HJS-IR3) hole Opening Diameter:  $\phi 10\text{mm}$



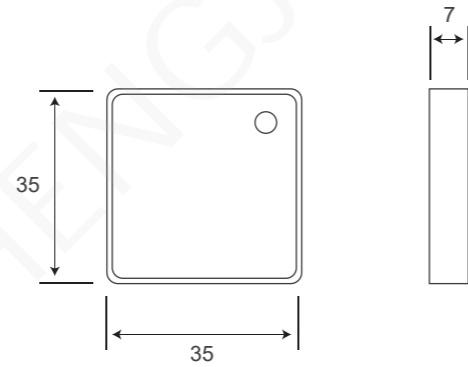
**Technic Data**

Item code	Rated input	Power	Rated Current	Angle	Detection Range (Depend on sensor)	Delay Time	ta	tc	Size (LxWxH)	Approval
HJT72-24VFI	12/24 VDC	36/72W	3A	-	4-12cm	-	-20...+50°C	60°C	66x30x12	CE





**TOUCH CONTROLLER**  
Touch sensor controller



**Product Description**

- Capacitive Touch Switch: After touching the pad the first time, it turns on, and the second time it turns off.
- Max. thickness of board 30mm
- LED load power: 12V:Max.36W 24V:Max.72W
- 5-year warranty

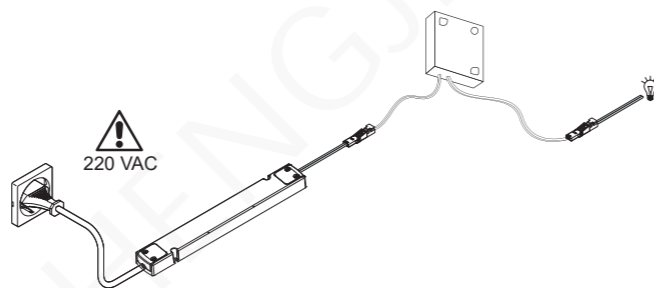
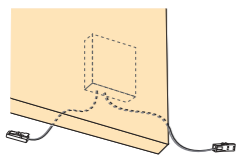
**Safety & EMC Standard**

- Safety According to EN 61347-1, EN61347-2-11 and EN61058-1
- EMC According to EN 301489-1/3
- RF According to EN 300440

**Product Installation**

- Un-visible installation behind glass, wooden board
- Installation: surface mounted

Back side of the board  
Max. thickness of board 40mm  
(HJK72-24VFC)

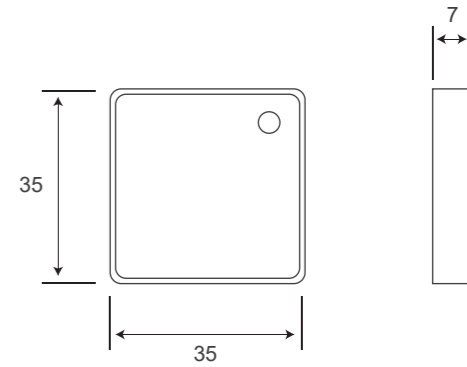


**Technic Data**

Item code	Rated input	Power	Rated Current	Angle	Detection Range (Depend on sensor)	Delay Time	ta	tc	Size (L×W×H)	Approval
HJK72-24VFC	12/24 VDC	36/72W	3A	-	-	-	-20...+50°C	60°C	35×35×7	CE



**TOUCH CONTROLLER**  
Touch sensor controller



**Product Description**

- Capacitive Touch Switch: After touching the pad the first time, it turns on, and the second time it turns off.
- Dimming for CCT
- LED load power: 12V:Max.36W 24V:Max.72W
- With blue color LED indicator
- 5-year warranty

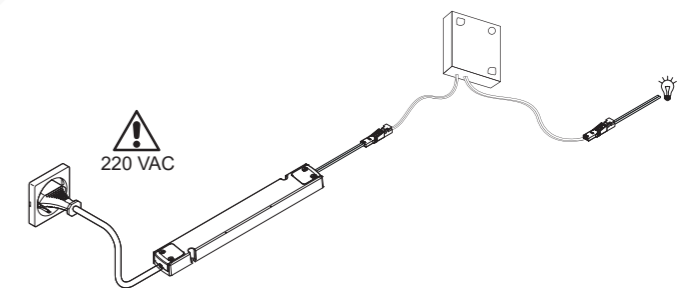
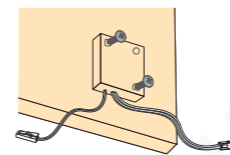
**Safety & EMC Standard**

- Safety According to EN 61347-1, EN61347-2-11 and EN61058-1
- EMC According to EN 301489-1/3
- RF According to EN 300440

**Product Installation**

- Installation: surface mounted

Front side of the board  
(HJT72-24VFC)

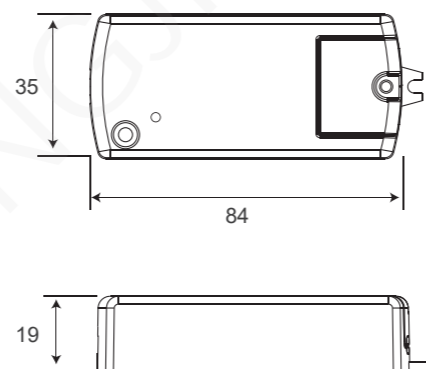


**Technic Data**

Item code	Rated input	Power	Rated Current	Angle	Detection Range (Depend on sensor)	Delay Time	ta	tc	Size (L×W×H)	Approval
HJT72-24VFC	12/24 VDC	36/72W	3A	-	-	-	-20...+50°C	75°C	35×35×7	CE



**TOUCH CONTROLLER**  
Touch sensor controller



**Product Description**

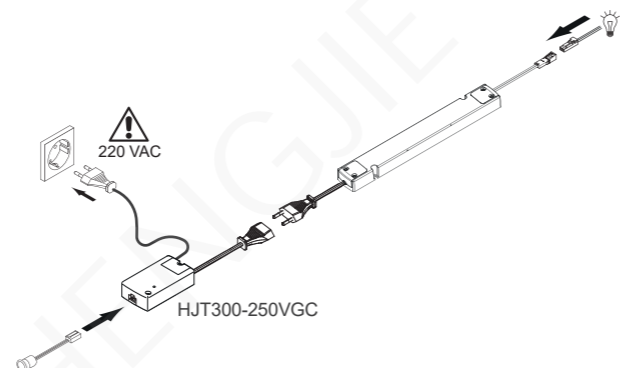
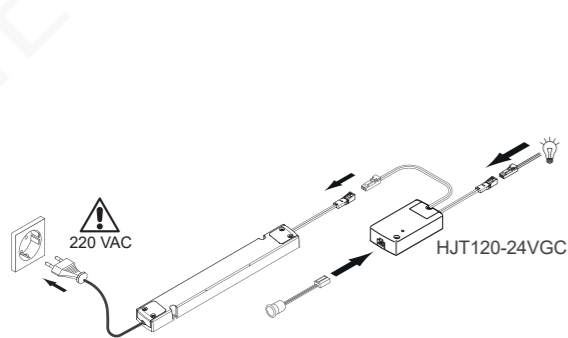
- Capacitive Touch Switch: After touching the pad the first time, it turns on, and the second time it turns off.
- Dimming for CCT (HJT120-24VGC)
- Terminal block for quick connection
- Optional Sensor
- Mini plug for sensor connection
- HJT120-24VGC LED load power: 12V: Max. 60W 24V: Max. 120W
- HJT300-250VGC LED load power: Max. 300W
- 5-year warranty

**Safety & EMC Standard**

- Safety According to EN 61347-1, EN61347-2-11 and EN61058-1
- EMC According to EN 301489-1/3
- RF According to EN 300440

**Product Installation**

- Sensor head with recessed mounting, receiver with surface mounting.
- TOUCH sensor (HJS-TOUCH) hole Opening Diameter:  $\varnothing 17\text{mm}$   
(HJS-TOUCH2) hole Opening Diameter:  $\varnothing 10\text{mm}$



**Technic Data**

Item code	Rated input	Power	Rated Current	Angle	Detection Range (Depend on sensor)	Delay Time	ta	tc	Size (LxWxH)	Approval
HJK300-250VGC	100-240VAC	300W	1.25A	-	-	-	-20...+50°C	60°C	84x35x19	CE
HJT120-24VGC	12/24 VDC	60/120W	5A	-	-	-	-20...+50°C	60°C	84x35x19	CE



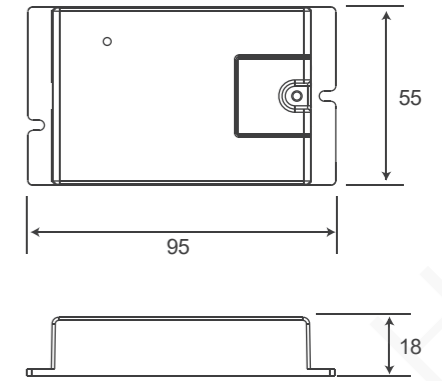
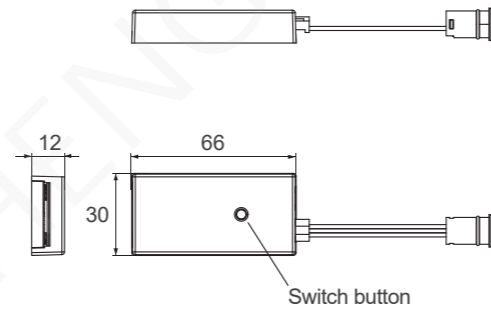
**MULTIFUNCTIONAL CONTROLLER**  
- IR/PIR sensor controller





**MULTIFUNCTIONAL CONTROLLER**  
IR&PIR sensor controller

**MULTIFUNCTIONAL CONTROLLER**  
IR&PIR sensor controller



**Product Description**

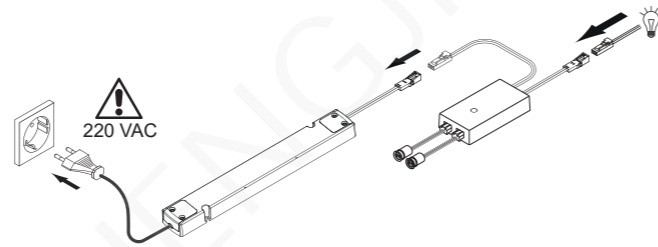
- Patented technology to identify traditional IR and PIR sensor, support 1- 2 sensors work together.
- Infrared detection: When open the door, light turn on; when close the door, light turn off
- Human-body detection: when people moving in the detection area, light turn on. After the set time, if there is no any motion detecting, light turn off
- Optional Sensor
- With 2 selectable function (change by push the function set button) : "Door switch function" and "Wave control function"
- Detection range: 4-12mm is recommended
- LED load power: 12V:Max.60W 24V:Max.120W
- 5-year warranty

**Safety & EMC Standard**

- Safety According to EN 61347-1, EN61347-2-11 and EN61058-1
- EMC According to EN 301489-1/3
- RF According to EN 300440

**Product Installation**

- Sensor head with recessed mounting, receiver with surface mounting.
- PIR sensor(HJS-PIR) hole Opening Diameter:  $\phi$ 17mm
- IR sensor (HJS-IR1) hole Opening Diameter:  $\phi$ 14mm (HJS-IR2) hole Opening Diameter:  $\phi$ 10mm (HJS-IR3) hole Opening Diameter:  $\phi$ 10mm



**Technic Data**

Item code	Rated input	Power	Rated Current	Angle	Detection Range (Depend on sensor)	Delay Time	ta	tc	Size (LxWxH)	Approval
HJK72-24VF1	12/24 VDC	36/72W	3A	Max.100°	1-3m@PIR, 4-12cm@IR	-	-20...+50°C	60°C	66x30x12	CE



**Product Description**

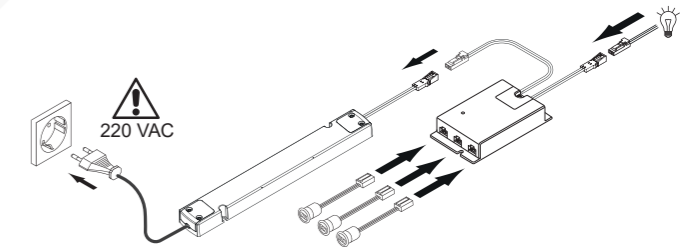
- Patented technology to identify traditional IR and PIR sensor, support 1- 3 sensors work together.
- Infrared detection: When open the door, light turn on; when close the door, light turn off
- Human-body detection: when people moving in the detection area, light turn on. After the set time, if there is no any motion detecting, light turn off
- Optional Sensor
- With 2 selectable function (change by push the function set button): "Door switch function" and "Wave control function"
- Detection range: 4-12mm is recommended
- LED load power: 12V:Max.60W 24V:Max.120W
- 5-year warranty

**Safety & EMC Standard**

- Safety According to EN 61347-1, EN61347-2-11 and EN61058-1
- EMC According to EN 301489-1/3
- RF According to EN 300440

**Product Installation**

- Sensor head with recessed mounting, receiver with surface mounting.
- PIR sensor(HJS-PIR) hole Opening Diameter:  $\phi$ 17mm
- IR sensor (HJS-IR1) hole Opening Diameter:  $\phi$ 14mm (HJS-IR2) hole Opening Diameter:  $\phi$ 10mm (HJS-IR3) hole Opening Diameter:  $\phi$ 10mm

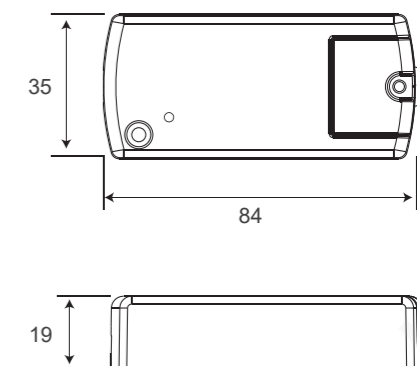


**Technic Data**

Item code	Rated input	Power	Rated Current	Angle	Detection Range (Depend on sensor)	Delay Time	ta	tc	Size (LxWxH)	Approval
HJK120-24VGI-3	12/24 VDC	60/120W	5A	Max.100°	1-3m@PIR, 4-12cm@IR	-	-20...+50°C	60°C	95x55x18	CE



WIRELESS CONTROLLER  
Wireless receiver



Product Description

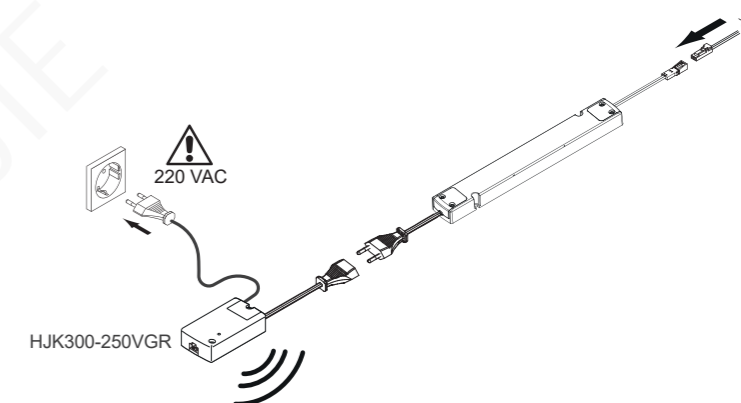
- Use with wireless remote control
  1. ON/OFF:
- Use with PIR Sensor
  1. Human-body detection: when people moving in the detection area, light turn on. After the set time, if there is no any motion detecting, light turn off
  2. Delay time: 3min
- Use with Magnetic collision emitter
  1. When open the door, light turn on; when close the door, light turn off
  2. Delay Time: after 10 minutes close, When the door is always open
- 5-year warranty

Safety & EMC Standard

- Safety According to EN 61347-1, EN61347-2-11 and EN61058-1
- EMC According to EN 301489-1/3
- RF According to EN 300440

Product Installation

- Receiver with surface mounting.



Technic Data

Item code	Rated input	Power	Rated Current	Angle	Operating Frequency	Delay Time	ta	tc	Size (L×W×H)	Approval
HJK300-24VGR	100-240VAC	300W	1.25A	-	2.4G	-	-20...+50°C	60°C	84×35×19	CE

\* Max. detection range: 15m. (Test data is based on open environment.)



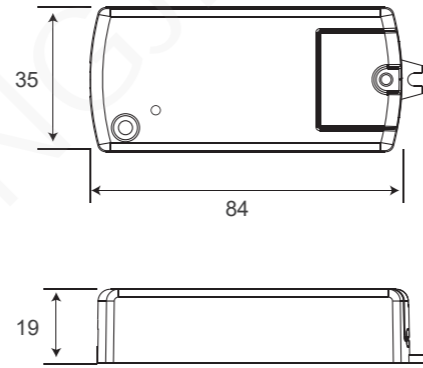
WIRELESS CONTROLLER

- Wireless receiver
- Zigbee receiver



**WIRELESS CONTROLLER**  
Wireless receiver

**NEW**



**Product Description**

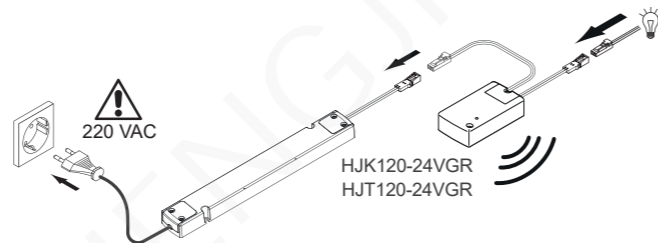
- Use with wireless remote control
  1. ON/OFF:
  2. Dimming between 0.2%-100%(HJK120-24VGR)
  3. Dimming for CCT between 0.2%-100% (HJT120-24VGR)
- Use with PIR Sensor
  1. Human-body detection: when people moving in the detection area, light turn on. After the set time, if there is no any motion detecting, light turn off
  2. Delay time: 3min
- Use with Magnetic collision emitter
  1. When open the door, light turn on; when close the door, light turn off
  2. Delay Time: after 10 minutes close, When the door is always open
- 5-year warranty

**Safety & EMC Standard**

- Safety According to EN 61347-1, EN61347-2-11 and EN61058-1
- EMC According to EN 301489-1/3
- EMS According to EN 61000-3-2, EN 61000-3-3, EN 61547
- RF According to EN 300440

**Product Installation**

- Receiver with surface mounting.



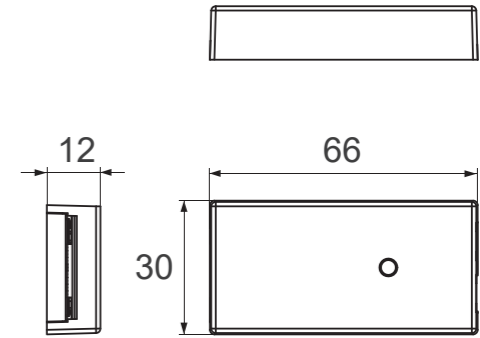
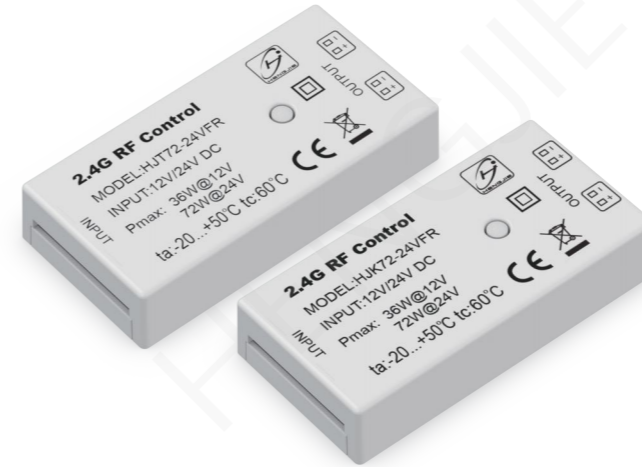
**Technic Data**

Item code	Rated input	Power	Rated Current	Angle	Operating Frequency	Delay Time	ta	tc	Size (L×W×H)	Approval
HJK120-24VGR	12/24 VDC	60/120W	5A	-	2.4G	-	-20...+50°C	60°C	84×35×19	CE
HJT120-24VGR	12/24 VDC	60/120W	5A	-	2.4G	-	-20...+50°C	60°C	84×35×19	CE

\* Max. detection range: 15m.(Test data is based on open environment.)



**WIRELESS CONTROLLER**  
Wireless receiver



**Product Description**

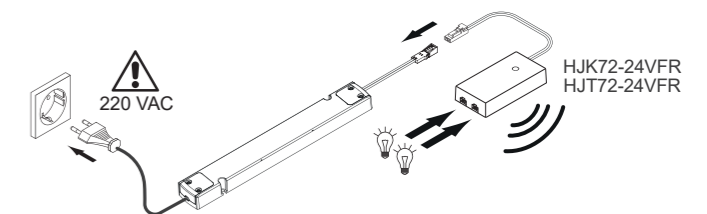
- Use with wireless remote control
  1. ON/OFF:
  2. Dimming between 5%-100%(HJK72-24VFR)
  3. Dimming for CCT between 5%-100% (HJT72-24VFR)
- Use with PIR Sensor
  1. Human-body detection: when people moving in the detection area, light turn on. After the set time, if there is no any motion detecting, light turn off
  2. Delay time: 3min
- Use with Magnetic collision emitter
  1. When open the door, light turn on; when close the door, light turn off
  2. Delay Time: after 10 minutes close, When the door is always open
- 5-year warranty

**Safety & EMC Standard**

- Safety According to EN 61347-1, EN61347-2-11 and EN61058-1
- EMC According to EN 301489-1/3
- RF According to EN 300440

**Product Installation**

- Receiver with surface mounting.



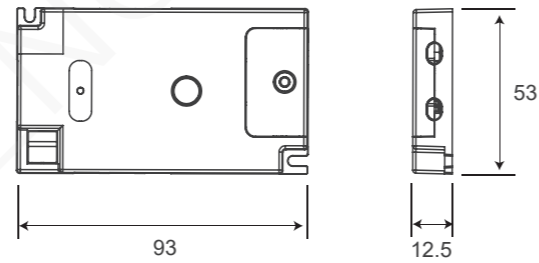
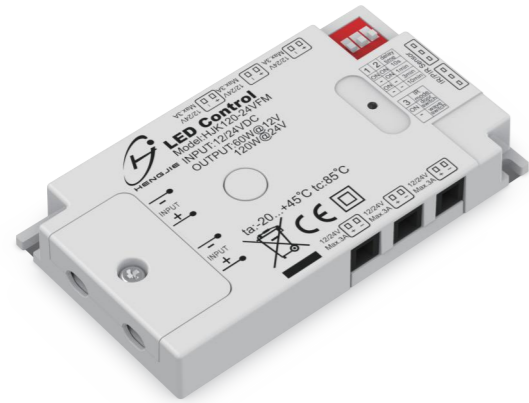
**Technic Data**

Item code	Rated input	Power	Rated Current	Angle	Operating Frequency	Delay Time	ta	tc	Size (L×W×H)	Approval
HJK72-24VFR	12/24 VDC	36/72W	3A	-	2.4G	-	-20...+50°C	60°C	66×30×12	CE
HJT72-24VFR	12/24 VDC	36/72W	3A	-	2.4G	-	-20...+50°C	60°C	66×30×12	CE

\* Max. detection range: 15m.(Test data is based on open environment.)



**WIRELESS CONTROLLER**  
Wireless receiver



**Product Description**

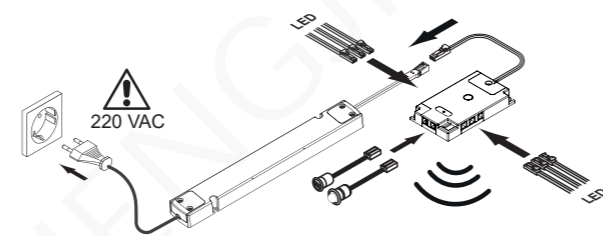
- Use with wireless remote control
  1. ON/OFF:
  2. Dimming between 5%-100%
- Use with PIR Sensor
  1. Human-body detection: when people moving in the detection area, light turn on. After the set time, if there is no any motion detecting, light turn off
  2. Delay time: 3min.
- Use with Magnetic collision emitter
  1. When open the door, light turn on; when close the door, light turn off
  2. Delay Time: after 10 minutes close, When the door is always open
- Use with IR Sensor
  1. Infrared detection: When open the door, light turn on; when close the door, light turn off
  2. Delay time can be set from 10 sec to 10min.
- Use with Touch Switch
  1. Capacitive Touch Switch: After touching the pad the first time, it turns on, and the second time it turns off.
- 5-year warranty

**Safety & EMC Standard**

- Safety According to EN 61347-1, EN61347-2-11 and EN61058-1
- EMC According to EN 301489-1/3
- EMS According to EN 61000-3-2, EN 61000-3-3, EN 61547
- RF According to EN 300440

**Product Installation**

- Receiver with surface mounting.



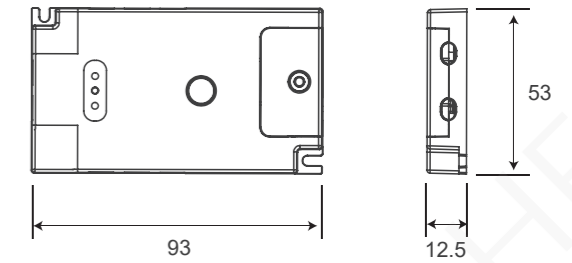
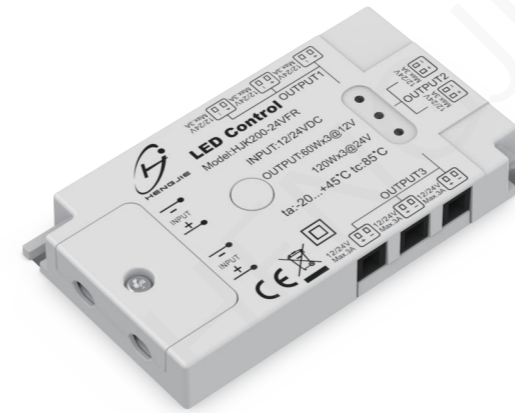
**Technic Data**

Item code	Rated input	Power	Rated Current	Angle	Detection Range (Depend on sensor)	Operating Frequency	ta	tc	Size (L×W×H)	Approval
HJK120-24VFM	12/24 VDC	60/120W	5A	-	1-3m@PIR, 4-12cm@IR	2.4G	-20...+50°C	60°C	93×53×12.5	CE

\* Max. detection range: 15m. (Test data is based on open environment.)



**WIRELESS CONTROLLER**  
Wireless receiver



**Product Description**

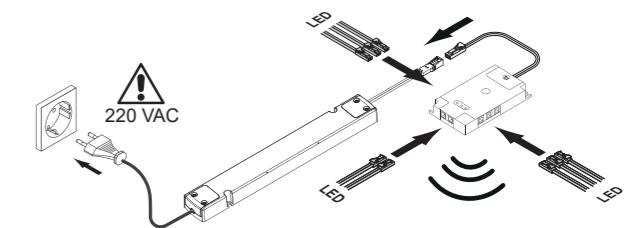
- Use with wireless remote control
  1. ON/OFF:
  2. Dimming between 5%-100%
- Use with PIR Sensor
  1. Human-body detection: when people moving in the detection area, light turn on. After the set time, if there is no any motion detecting, light turn off
  2. Delay time: 3min.
- Use with Magnetic collision emitter
  1. When open the door, light turn on; when close the door, light turn off
  2. Delay Time: after 10 minutes close, When the door is always open
- 5-year warranty

**Safety & EMC Standard**

- Safety According to EN 61347-1, EN61347-2-11 and EN61058-1
- EMC According to EN 301489-1/3
- EMS According to EN 61000-3-2, EN 61000-3-3, EN 61547
- RF According to EN 300440

**Product Installation**

- Receiver with surface mounting.



**Technic Data**

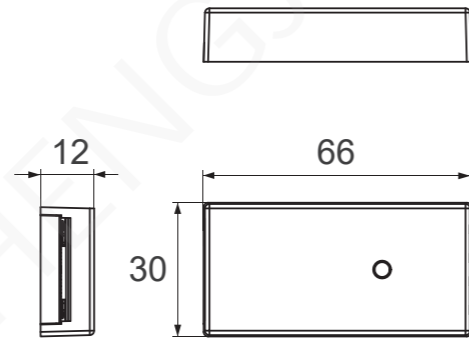
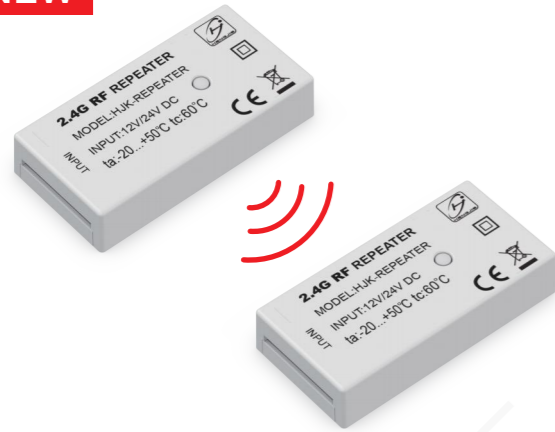
Item code	Rated input	Power	Rated Current	Angle	Detection Range (Depend on sensor)	Operating Frequency	ta	tc	Size (L×W×H)	Approval
HJK200-24VFR	12/24 VDC	60/120W	5A: one load Max. 8.3A: 3 loads	-	-	2.4G	-20...+50°C	60°C	93×53×12.5	CE

\* Max. detection range: 15m. (Test data is based on open environment.)



**WIRELESS CONTROLLER**  
Wireless receiver

**NEW**



**Product Description**

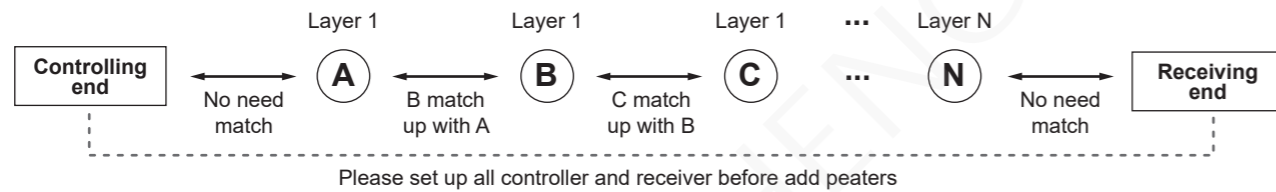
- Rf signal repeater up to 8 layers rf signal repeater
- The first layer can No need match with wireless transceiver
- Wide supply voltage: 5-24V DC
- 5-year warranty

**Safety & EMC Standard**

- Safety According to EN 61347-1, EN61347-2-11 and EN61058-1
- EMC According to EN 301489-1/3
- RF According to EN 300440

**Product Installation**

- Receiver with surface mounting.



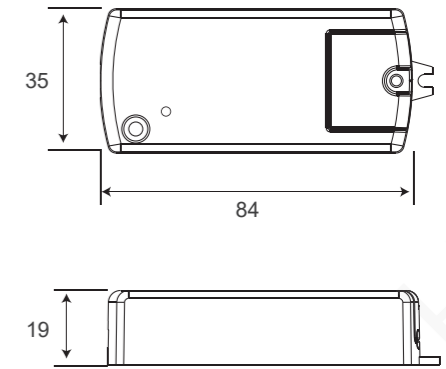
**Technic Data**

Item code	Rated input	Power	Rated Current	Angle	Detection Range (Depend on sensor)	Delay Time	ta	tc	Size (L×W×H)	Approval
HJK-REPEATER	5-24 VDC	-	-	-	-	-	-20...+50°C	60°C	66×30×12	CE



**WIRELESS CONTROLLER**  
Zigbee receiver zigbee

**No.1** FIRST in industry



**Product Description**

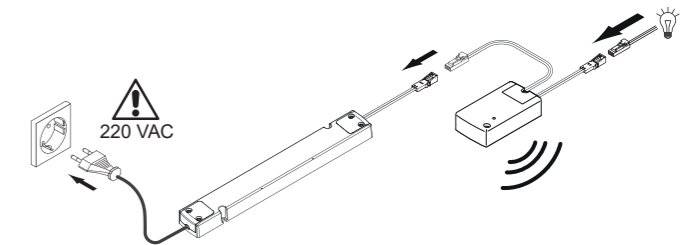
- Zigbee 2-wire color temperature controller
- 5-year warranty

**Safety & EMC Standard**

- Safety According to EN 61347-1, EN61347-2-11 and EN61058-1
- EMC According to EN 301489-1/3
- RF According to EN 300440

**Product Installation**

- Receiver with surface mounting.



**Technic Data**

Item code	Rated input	Power	Rated Current	Angle	Detection Range (Depend on sensor)	Delay Time	ta	tc	Size (L×W×H)	Approval
HJT120-24VGZ	12/24 VDC	60/120W	5A	-	-	-	-20...+50°C	60°C	84×35×19	CE

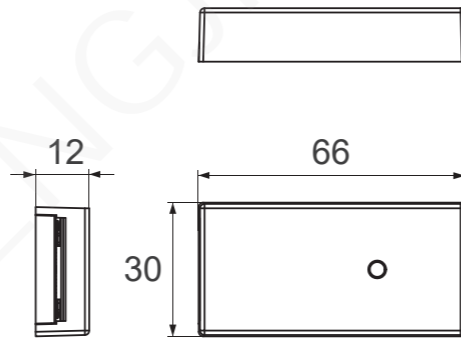
\* Max. detection range: 15m.(Test data is based on open environment.)





**OTHER**  
**Duplicator**

**NEW**



**Product Description**

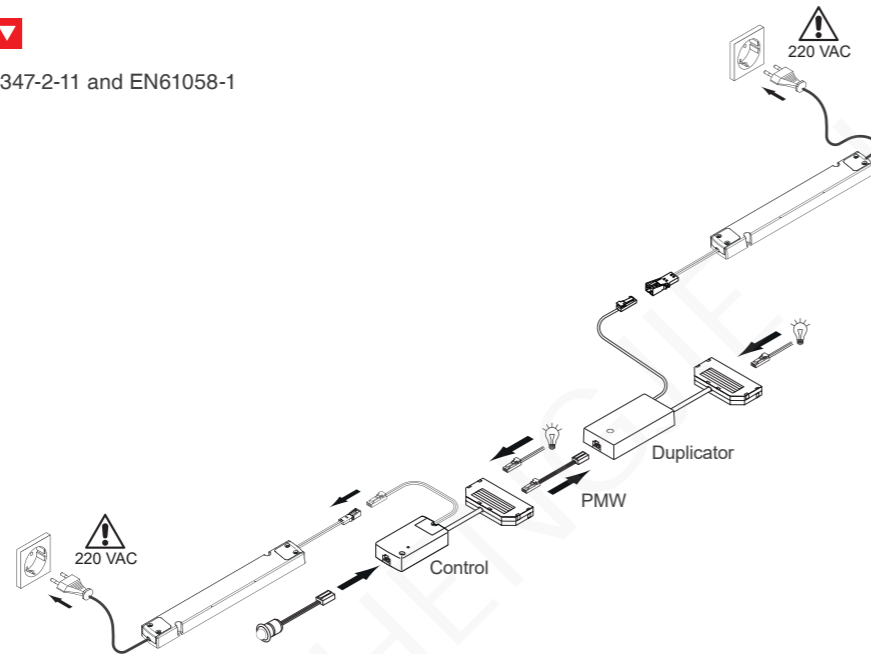
- ON/OFF and dimming signal copied to output
- Low delay, high accuracy
- Isolation between Output and signal
- 5-year warranty

**Safety & EMC Standard**

- Safety According to EN 61347-1, EN61347-2-11 and EN61058-1
- EMC According to EN 301489-1/3
- RF According to EN 300440

**Product Installation**

- Receiver with surface mounting.



**Technic Data**

Item code	Rated input	Power	Rated Current	Angle	Detection Range (Depend on sensor)	Delay Time	ta	tc	Size (LxWxH)	Approval
HJK72-24VFP	12/24 VDC	36/72W	3A	-	-	-	-20...+50°C	60°C	66x30x12	CE



**OPTIONAL**

**Wireless transceiver**  
**Sensor**

**HJK-TSP** Size: 86.5x86.5x11.4mm



- Dimming and color temperature Scene panel**
- 12/24 VDC, 17mA; ta: -20...+35°C
  - Remote distance: Max.15m
  - Function: on/off switch;
  - Can be divided into 3 groups, each group can pair up to 5 receivers
  - This parameter is configurable for a single scenario

**HJK-TSP-1** Size: 86.5x86.5x11.4mm



- Dimming and color temperature Scene panel**
- 2.5-3.3 VDC, 40mA; ta: -20...+35°C
  - Remote distance: Max.15m
  - Can be divided into 3 groups, each group can pair up to 5 receivers
  - This parameter is configurable for a single scenario

**HJT-RMT** Size: 43x43x10mm



- 2.4G Color temperature remote**
- 2.0-3.3 VDC, 17mA; ta: -20...+35°C
  - Remote distance: Max.15m
  - Function: on/off switch; Support color temperature control
  - Battery life: 5 years

**HJT-RMT2** Size: ø38x18.5mm



- 2.4G Color temperature & dimmer remote**
- 2.0-3.3 VDC, 17mA; ta: -20...+35°C
  - Remote distance: Max.15m
  - Function: on/off switch; Support color temperature & dimmer control
  - Battery life: 3 years

**HJK-RMT2**



- 2.4G Dimmer remote**
- 2.0-3.3 VDC, 17mA; ta: -20...+35°C
  - Remote distance: Max.15m
  - Function: on/off switch; Support dimmer control
  - Battery life: 3 years

**HJK-RMT4**



- 2.4G Magnet switch transceiver**
- 2.0-3.3 VDC, 17mA; ta: -20...+35°C
  - Remote distance: Max.15m
  - Function: on/off switch; Support dimmer control
  - Battery life: 3 years

**HJK-RMT5**




- 2.4G Three way dimmer remote**
- 2.0-3.3 VDC, 17mA; ta: -20...+35°C
  - Remote distance: Max.15m
  - Independent switch function for each road (including dimming)
  - Function: on/off switch; Support dimmer control
  - Battery life: 5 years

**HJK-HRMT**

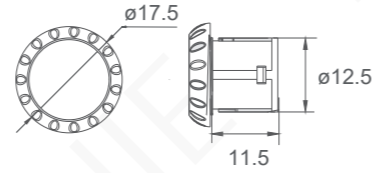



- 2.4G PIR transceiver**
- 2.0-3.3 VDC, 17mA; ta: -20...+35°C
  - Angle: 100°; Detection range(depend on sensor): 1-3m
  - Function: PIR-S switch the light on when people moving in the detection area.
  - Battery life: 3 years

**HJS-IR1** 



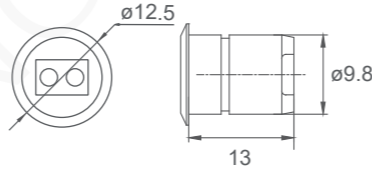
**IR Sensor**  
 • Detection Range: 5-10 cm  
 • Hole size:  $\phi$ 14mm



**HJS-IR2** 



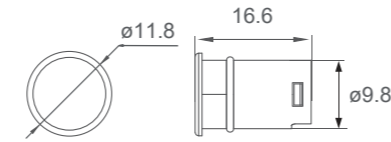
**IR Sensor**  
 • Detection Range: 5-10 cm  
 • Hole size:  $\phi$ 10mm



**HJS-IR3** 



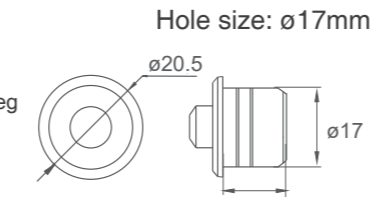
**IR Sensor**  
 • Detection Range: 5-10 cm  
 • Hole size:  $\phi$ 10mm



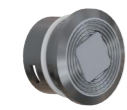
**HJS-PIR** 



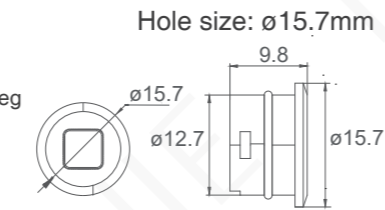
**PIR Sensor**  
 • Detection Range: 1-3 m; Max.100 Deg  
 • Hole size:  $\phi$ 17mm




**HJS-PIR2** 



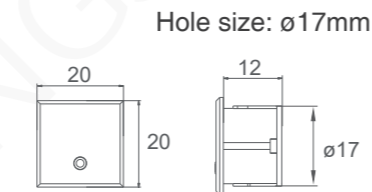
**PIR2 Sensor**  
 • Detection Range: 1-3 m; Max.100 Deg  
 • Hole size:  $\phi$ 17mm




**HJS-TOUCH** 



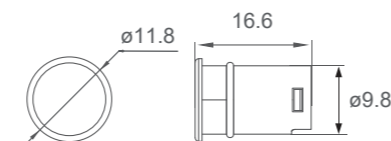
**TOUCH Sensor**  
 • Hole size:  $\phi$ 17mm



**HJS-TOUCH2** 



**TOUCH Sensor**  
 • Hole size:  $\phi$ 10mm

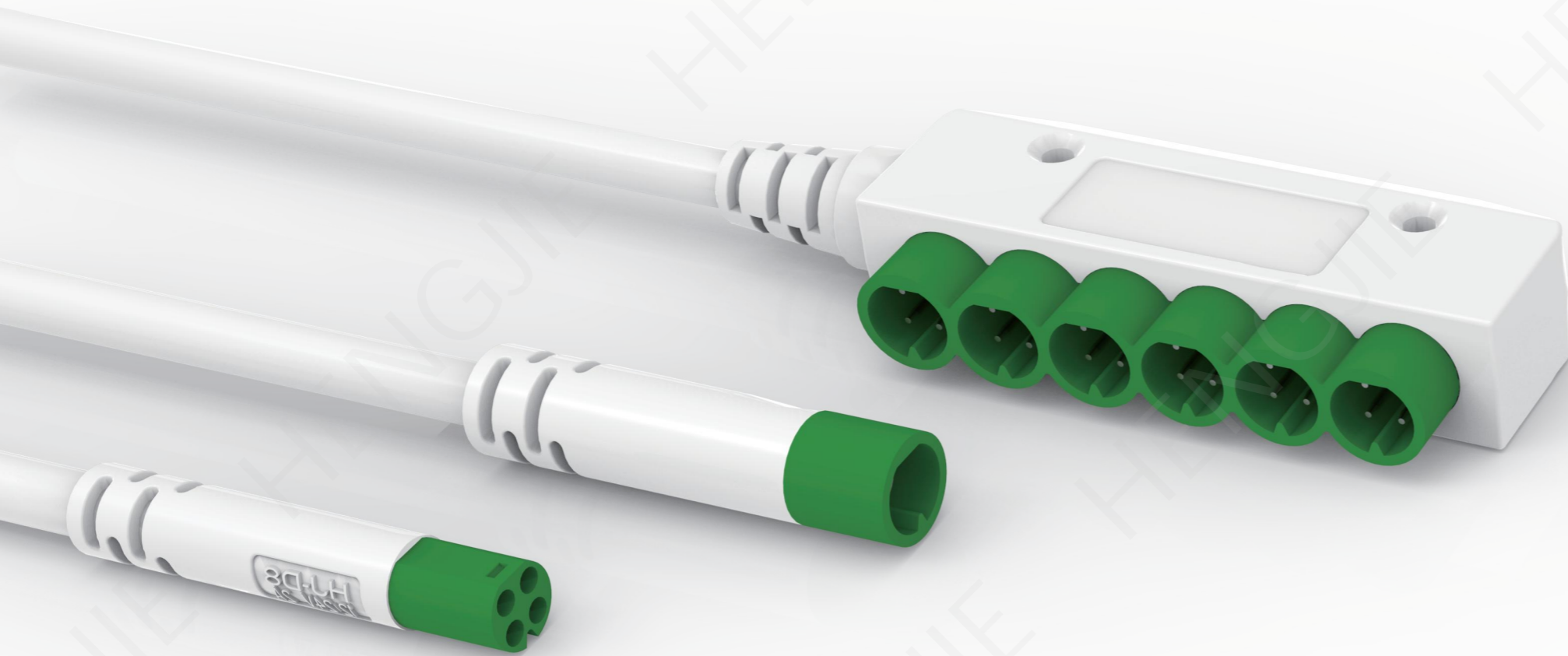


SERIES	ITEM	ITEM CODE	WIRELESS TRANSCEIVER	SENSOR
Motion controller	PIR sensor controller	HJK300-250VGH	-	HJS-PIR
		HJK120-24VGH	-	HJS-PIR
	Microwave sensor controller	HJK72-24VFU	-	-
		HJK120-24VGM	-	-
Touchless controller	IR sensor controller	HJK300-250VGI	-	HJS-IR1 / HJS-IR2 / HJS-IR3
		HJK120-24VGI	-	HJS-IR1 / HJS-IR2 / HJS-IR3
		HJK72-24VGI-1	-	HJS-IR1 / HJS-IR2 / HJS-IR3
		HJK72-24VGI	-	HJS-IR1 / HJS-IR2 / HJS-IR3
Touch controller	Touch sensor controller	HJT72-24VFI	-	HJS-IR1 / HJS-IR2 / HJS-IR3
		HJK72-24VFC	-	HJS-TOUCH / HJS-TOUCH2
		HJT72-24VFC	-	HJS-TOUCH / HJS-TOUCH2
		HJT300-250VGC	-	-
Multifunctional controller	IR/PIR sensor controller	HJT120-24VGC	-	-
		HJK72-24VFI	-	HJS-IR1 / HJS-IR2 / HJS-IR3 HJS-PIR
Wireless controller	Wireless receiver	HJK120-24VGI-3	-	HJS-IR1 / HJS-IR2 / HJS-IR3 HJS-PIR
		HJK300-24VGR	ALL	HJS-IR1 / HJS-IR2 / HJS-IR3 HJS-PIR
		HJK120-24VGR	ALL	-
		HJT120-24VGR	ALL	-
		HJK72-24VFR	ALL	-
		HJT72-24VFR	ALL	-
		HJK120-24VFM	ALL	HJS-IR1 / HJS-IR2 / HJS-IR3 HJS-PIR
		HJK200-24VFR	ALL	-
		HJK-REPEATER	-	-
		Zigbee receiver	HJT120-24VGZ	ALL
Other	Duplicator	HJK72-24VFP	-	-

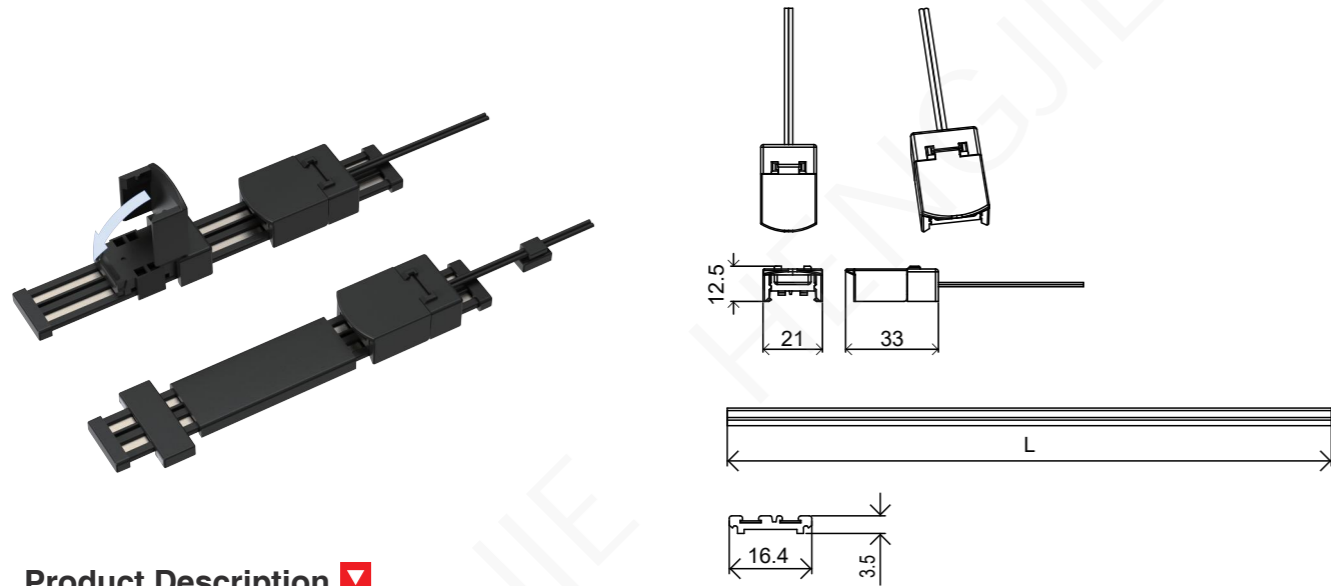


# Connecting Series

Various of connectors, distributors and accessories simplify the installation of lights, which makes the work more enjoyable.

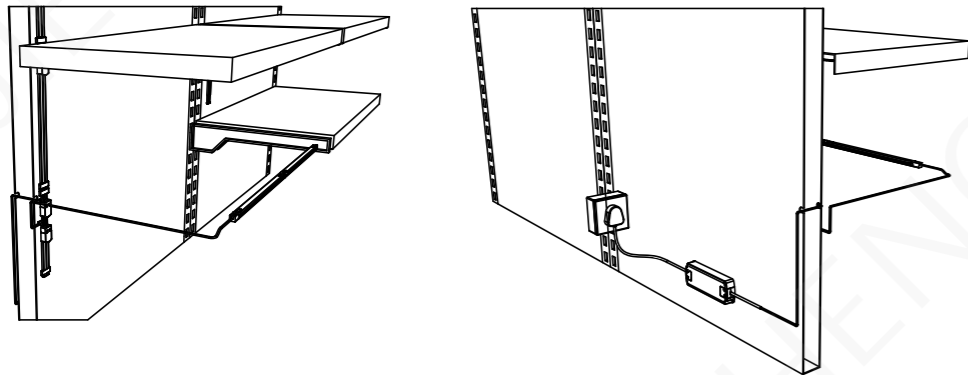


**CONNECTING SERIES**  
Power Track System



**Product Description** ✓

- power supply system for retail industry furniture backside installation or magnet installation on metal shelf.
- Snap-on fixing method to solve poor contact or ignition problems
- Can be placed in small spaces

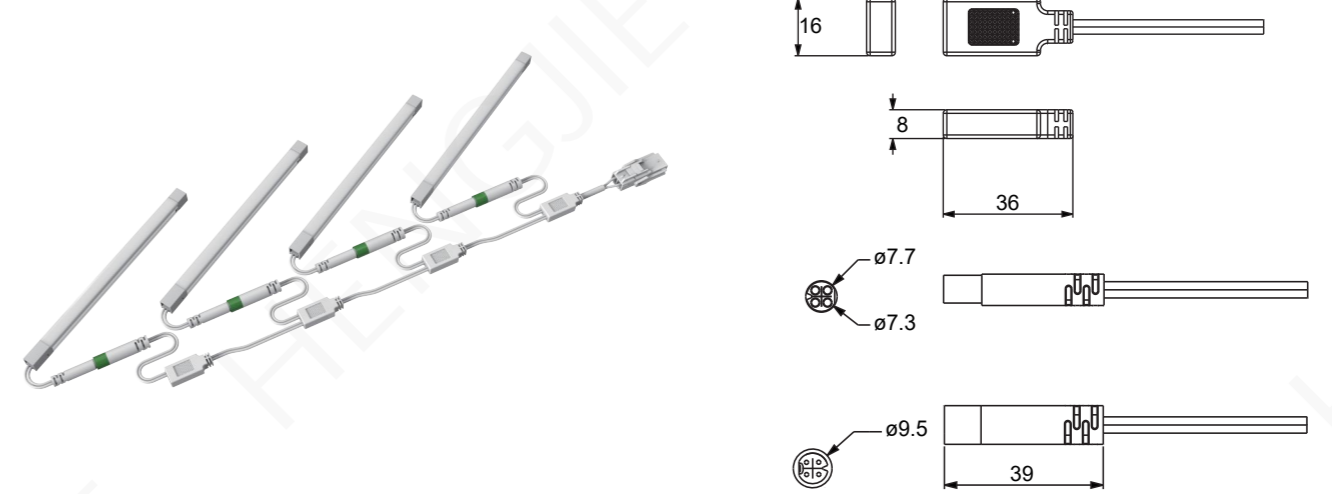


**Technic Data** ✓

Item code	Rated input	Power	Rated Current	Angle	Operating Frequency	Delay Time	ta	tc	Size (L×W×H)	Approval
HJZ02-027-01	12/24 VDC	-	-	-	-	-	-	-	-	-

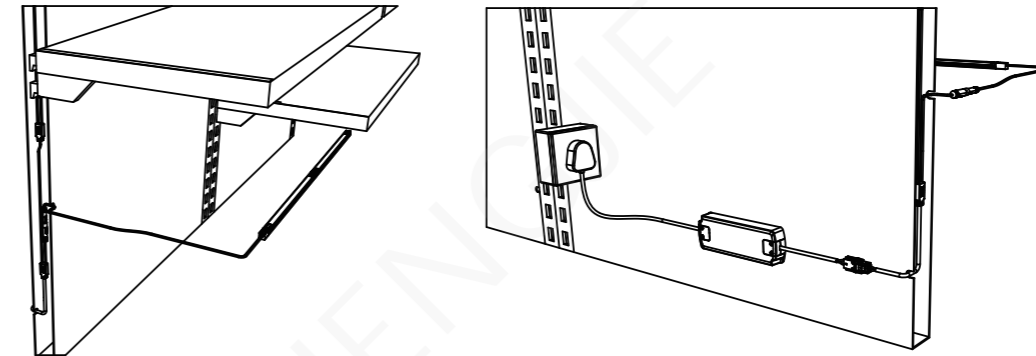


**CONNECTING SERIES**  
Shelf Distribution Cable



**Product Description** ✓

- One main cord connects with multiple distribution cords
- Max. 3A capacity for each distribution cord; current capacity of the main cord can be customized by using different cable type.
- Distance between each distribution cord can be customized to fit for different shelves.

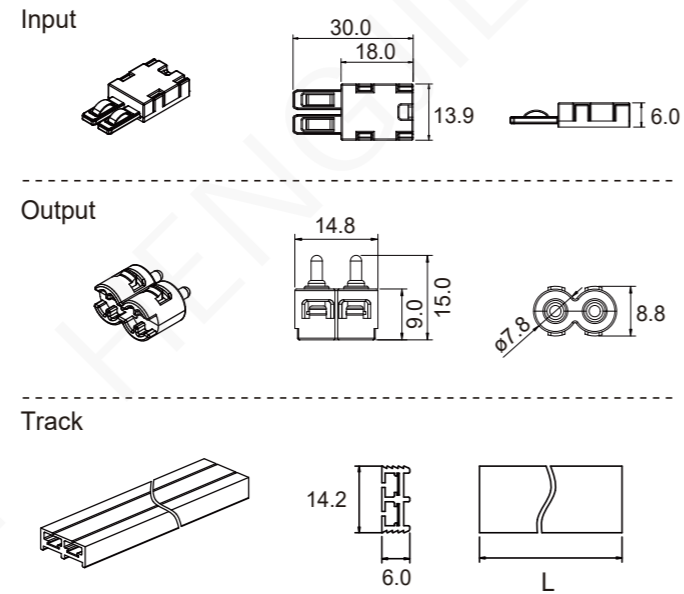
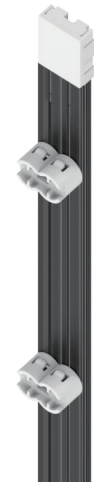


**Technic Data** ✓

Item code	Rated input	Power	Rated Current	Angle	Operating Frequency	Delay Time	ta	tc	Size (L×W×H)	Approval
HJW01-8022B	12/24 VDC	-	-	-	-	-	-	-	-	-

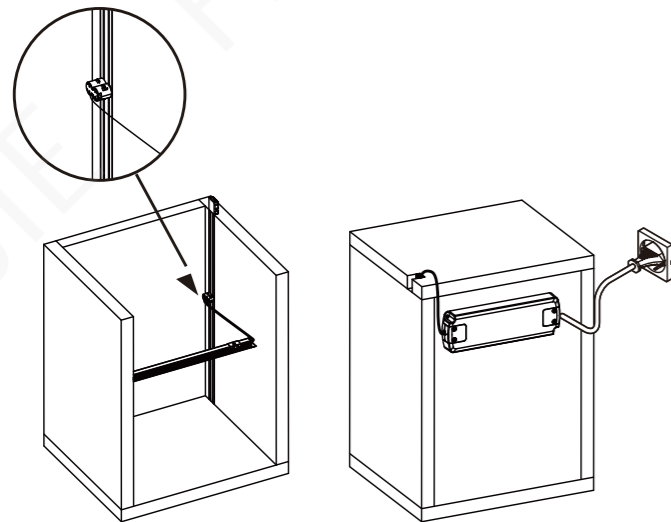


**CONNECTING SERIES**  
Laminate Connection System



**Product Description** ✓

- Slim power track system
- Recessed mounting into cabinet
- Non visible area for cable through
- Optional color fit for cabinet
- Shelf movable for electrical power
- Max.3A(24V)

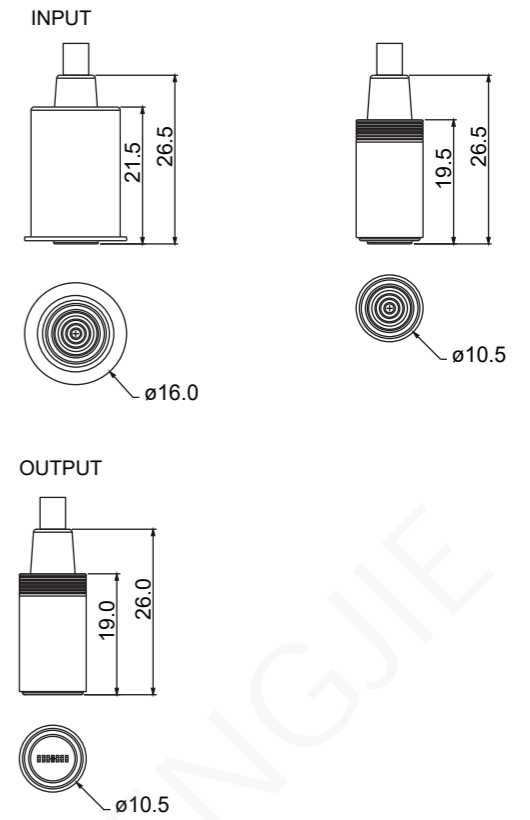


**Technic Data** ✓

Item code	Rated input	Power	Rated Current	Angle	Operating Frequency	Delay Time	ta	tc	Size (L×W×H)	Approval
HJZ02-005	12/24 VDC	-	MAX.3A	-	-	-	-	-	-	-

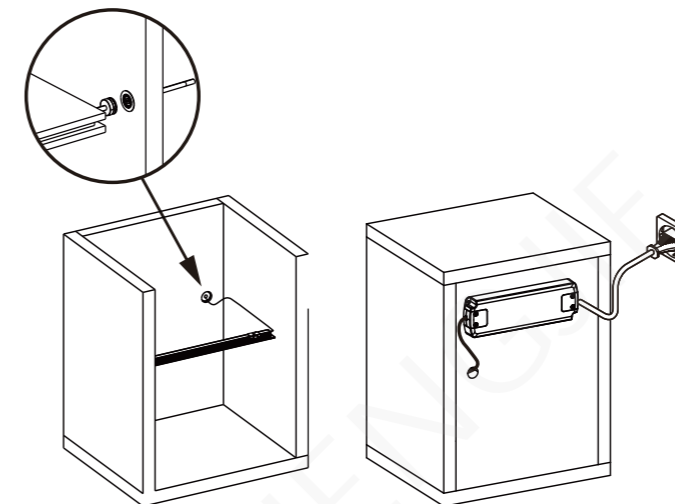


**CONNECTING SERIES**  
Magnet Connecting System



**Product Description** ✓

- Magnet male&female connector
- Recessed mounting integrate into cabinet
- Adaptor connection
- Max.3A(24V)



**Technic Data** ✓

Item code	Rated input	Power	Rated Current	Angle	Operating Frequency	Delay Time	ta	tc	Size (L×W×H)	Approval
HJZ02-022	12/24 VDC	-	MAX.3A	-	-	-	-	-	-	-





HJW01-1022B / HJW01-1122W



**Connect Cable with LED Mini Female/Male connector**

- 24V, 3A
- 2x0.34mm<sup>2</sup> cable, optional colour: blk/blk-red, white/white-blk, transparent
- optional: tin/copper plated, black /white LED male /female connector

HJW03-1022B / HJW03-1122W



**3-way-distributor**

- 24V, 3A
- 2x0.34mm<sup>2</sup> cable, optional colour: blk/blk-red, white/white-blk
- optional: tin/copper plated, black/white LED male/female connector

HJW06-1022B / HJW06-1122W



**6-way-distributor**

- 24V, 3A
- 2x0.34mm<sup>2</sup> cable, optional colour: blk/blk-red, white/white-blk
- optional: tin/copper plated, black/white LED male/female connector

HJW06-1220B / HJW06-1220W



**6-way-distributor with fuse**

- 24V, 6A
- 2468 20AWGx2C black/white cable
- tin/copper plated

HJW10-1318B / HJW10-1318W



**10-way-distributor**

- 24V, 10A
- H03VVH2-F 2x0.75mm<sup>2</sup> black/white cable
- tin/copper plated

HJW01-0122W / HJW01-0122W-01



**Connect Cable with JST-2510 Female/Male connector**

- 24V, 3A
- 2x0.34mm<sup>2</sup> cable, optional colour: blk/blk-red, white/white-blk, transparent
- optional: tin/copper plated, black/white JST-2510male/female connector

HJW04-0318W



**JST-2510 4-way-distributor**

- 24V, 10A
- H03VVH2-F 2x0.75mm<sup>2</sup> black/white cable
- tin/copper plated

HJW06-0318W



**JST-2510 6-way-distributor**

- 24V, 10A
- H03VVH2-F 2x0.75mm<sup>2</sup> black /white cable
- tin/copper plated

HJW12-0318W



**JST-2510 12-way-distributor**

- 24V, 10A
- H03VVH2-F 2x0.75mm<sup>2</sup> black /white cable
- tin/copper plated

HJW04-0622W



**RGB 4-way-distributor**

- 24V, 3A
- 4x22AWG white cable
- tin/copper plated

HJW04-0622W-1



**RGB 4-way-distributor**

- Max.24V, 3A
- 4x22AWG white cable
- tin/copper plated

HJW04-2122W



**Connect Cable with JST-XH-2 Female/Male connector**

- 24V, 3A
- 2x0.34mm<sup>2</sup> black/white cable
- tin/copper plated, white JST-XH-2 male/female connector

HJW01-4420W



**D8 LV Female/male Connectors**

- 24V, 6A
- 2464 2x20AWG black/white cable
- tin/copper plated

HJW06-4418W



**D8 LV 6-way Distributor**

- 24V, 6A
- 2464 2x18AWG black/white cable, with 5A fuse
- tin/copper plated

HJW01-4320W-1



**D8 HV Female Connectors**

- 250VAC, 2.5A
- H03VVH2 2x0.5mm<sup>2</sup> white cable
- tin/copper plated

HJW01-4320W



**D8 HV Male Connectors**

- 250VAC, 2.5A
- H03VVH2 2x0.5mm<sup>2</sup> white cable
- tin/copper plated

HJW06-4318W



**D8 high pressure six-hole female distributor**

- Max.250VAC, 2.5A
- H03VVH2 2x0.75mm<sup>2</sup> white cable
- tin/copper plated

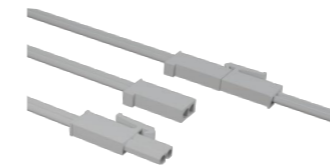
HJW01-4320W-2



**TYCO MINI HV Female/male Connectors**

- Max.250VAC, 2.5A
- H03VVH2 2x0.5mm<sup>2</sup> white cable
- tin/copper plated

HJW01-5318W / HJW01-5318W-1



**AMP HV Female/male Connectors**

- Max.250VAC, 7A
- H03VVH2 2x0.75mm<sup>2</sup> white cable
- tin/copper plated

HJW01-5318B / HJW01-5318B-1



**AMP HV LED mini Female/male Connectors**

- Max.250VAC, 7A
- H03VVH2 2x0.75mm<sup>2</sup> white cable
- tin/copper plated