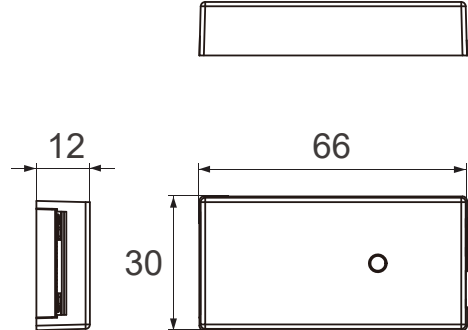


**OTHER  
Duplicator**

**NEW**



**Product Description**

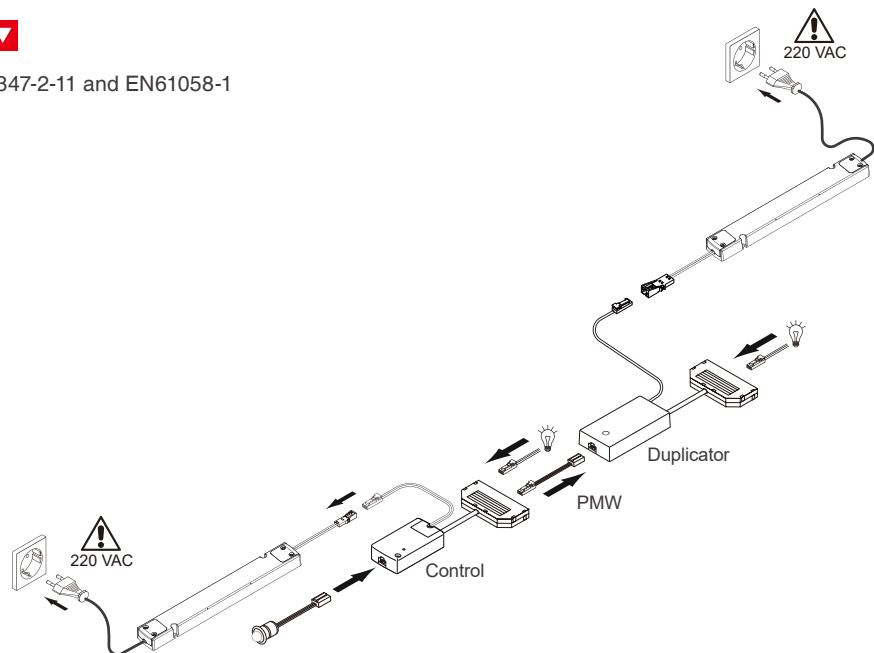
- ON/OFF and dimming signal copied to output
- Low delay, high accuracy
- Isolation between Output and signal
- 5-year warranty

**Safety & EMC Standard**

- Safety According to EN 61347-1, EN61347-2-11 and EN61058-1
- EMC According to EN 301489-1/3
- RF According to EN 300440

**Product Installation**

- Receiver with surface mounting.



**Technic Data**

Item code	Rated input	Power	Rated Current	Angle	Detection Range (Depend on sensor)	Delay Time	ta	tc	Size (L×W×H)	Approval
HJK72-24VFP	12/24 VDC	36/72W	3A	-	-	-	-20...+50°C	60°C	66×30×12	CE

