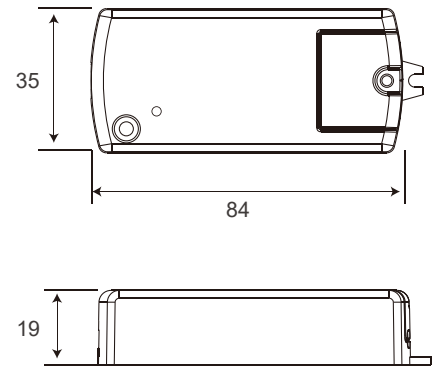


Advance series Phase cut dimming constant voltage output



Product Description ▼

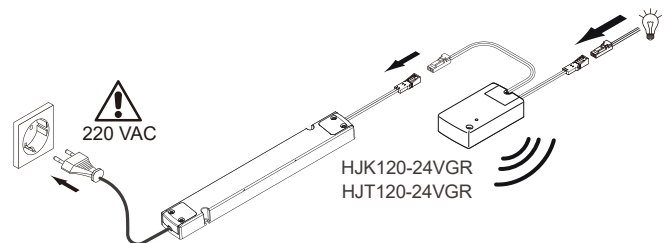
- Use with wireless remote control
 1. ON/OFF:
 2. Dimming between 0.2%-100%(HJK120-24VGR)
 3. Dimming for CCT between 0.2%-100% (HJT120-24VGR)
- Use with PIR Sensor
 1. Human-body detection: when people moving in the detection area, light turn on. After the set time, if there is no any motion detecting, light turn off
 2. Delay time: 3min
- Use with Magnetic collision emitter
 1. When open the door, light turn on; when close the door, light turn off
 2. Delay Time: after 10 minutes close, When the door is always open
- 5-year warranty

Safety & EMC Standard ▼

- Safety According to EN 61347-1, EN61347-2-11 and EN61058-1
- EMC According to EN 301489-1/3
- EMS According to EN 61000-3-2, EN 61000-3-3, EN 61547
- RF According to EN 300440

Product Installation ▼

- Receiver with surface mounting.



Technic Data ▼

Item code	Rated input	Power	Rated Current	Angle	Operating Frequency	Delay Time	ta	tc	Size (L×W×H)	Approval
HJK120-24VGR	12/24 VDC	60/120W	5A	-	2.4G	-	-20...+50°C	60°C	84×35×19	CE
HJT120-24VGR	12/24 VDC	60/120W	5A	-	2.4G	-	-20...+50°C	60°C	84×35×19	CE

* Max. detection range: 15m.(Test data is based on open environment.)

