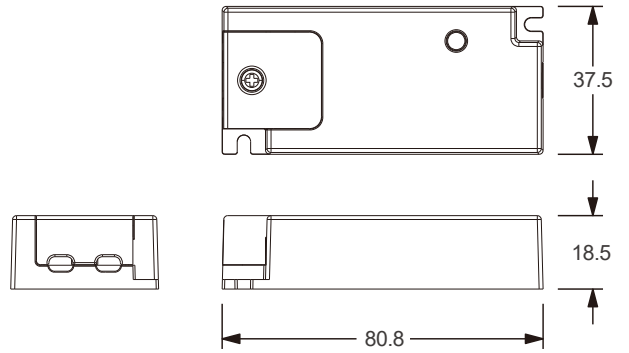


WIRELESS CONTROLLER
Zigbee receiver zigbee

NO.1 FIRST
in industry



Product Description

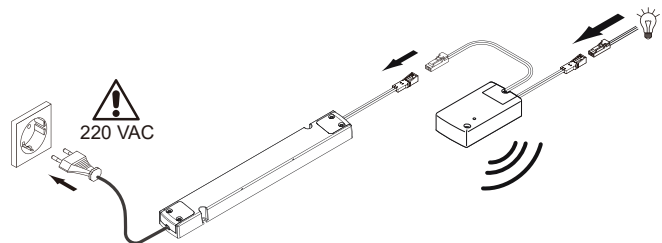
- Zigbee 2-wire color temperature controller
- 5-year warranty

Safety & EMC Standard

- Safety According to EN 61347-1, EN61347-2-11 and EN61058-1
- EMC According to EN 301489-1/3
- RF According to EN 300440

Product Installation

- Receiver with surface mounting.



Technic Data

Item code	Rated input	Power	Rated Current	Angle	Detection Range (Depend on sensor)	Delay Time	ta	tc	Size (L×W×H)	Approval
HJT120-24VGZ	12/24 VDC	60/120W	5A	-	-	-	-20...+50°C	60°C	84×35×19	CE

* Max. detection range: 15m.(Test data is based on open environment.)

