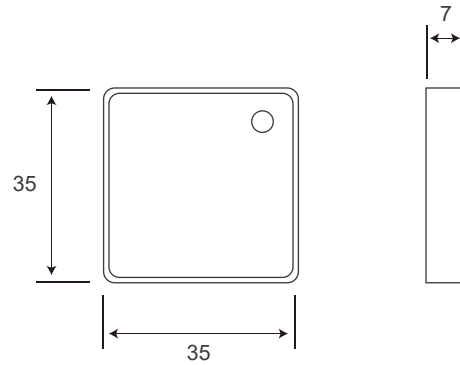


TOUCH CONTROLLER

Touch sensor controller



Product Description ▼

- Capacitive Touch Switch: After touching the pad the first time, it turns on, and the second time it turns off.
- Max. thickness of board 30mm
- LED load power: 12V:Max.36W 24V:Max.72W
- 5-year warranty

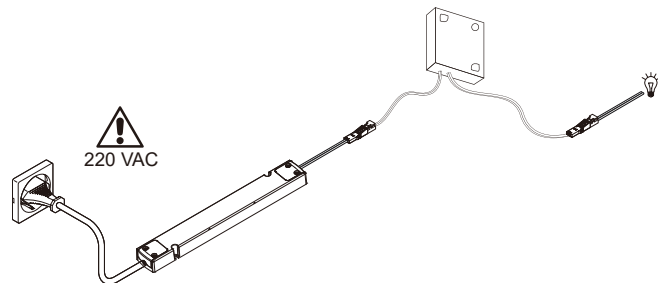
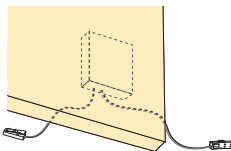
Safety & EMC Standard ▼

- Safety According to EN 61347-1, EN61347-2-11 and EN61058-1
- EMC According to EN 301489-1/3
- RF According to EN 300440

Product Installation ▼

- Un-visible installation behind glass, wooden board
- Installation: surface mounted

Back side of the board
 Max. thickness of board 40mm
 (HJK72-24VFC)



Technic Data ▼

Item code	Rated input	Power	Rated Current	Angle	Detection Range (Depend on sensor)	Delay Time	ta	tc	Size (L×W×H)	Approval
HJK72-24VFC	12/24 VDC	36/72W	3A	-	-	-	-20...+50°C	60°C	35×35×7	CE

