

**US series - CLASS P Listed**  
**Ultrathin constant voltage output**



**HJA6-12VF(UN) HJA6-24VF(UN)**

**Product Description**

- Universal input voltage(120-240VAC)
- Independent constant voltage LED Driver
- Terminal block for quick connection
- Driver can be secured with slot for screws
- Ultra-thin design ,the height is 10.8mm
- Full protection functions with automatic recovery feature
- Fast start-up time  $\leq 0.5s$
- No load power consumption  $\leq 0.3W$
- Class2 output
- Protection class II, SELV output
- Efficiency:80% (230Vac)
- Compliance to ERP directive: COMMISSION REGULATION (EU) 2019/2020

**Safety & EMC Standard**

- EN 55015
- EN 60598-1
- EN 61000-3-2
- EN 61000-3-3
- EN 61347-1
- EN 61347-2-13
- EN 61547
- EN 62384
- UL 1310
- UL 8750
- FCC 15B

**Application**

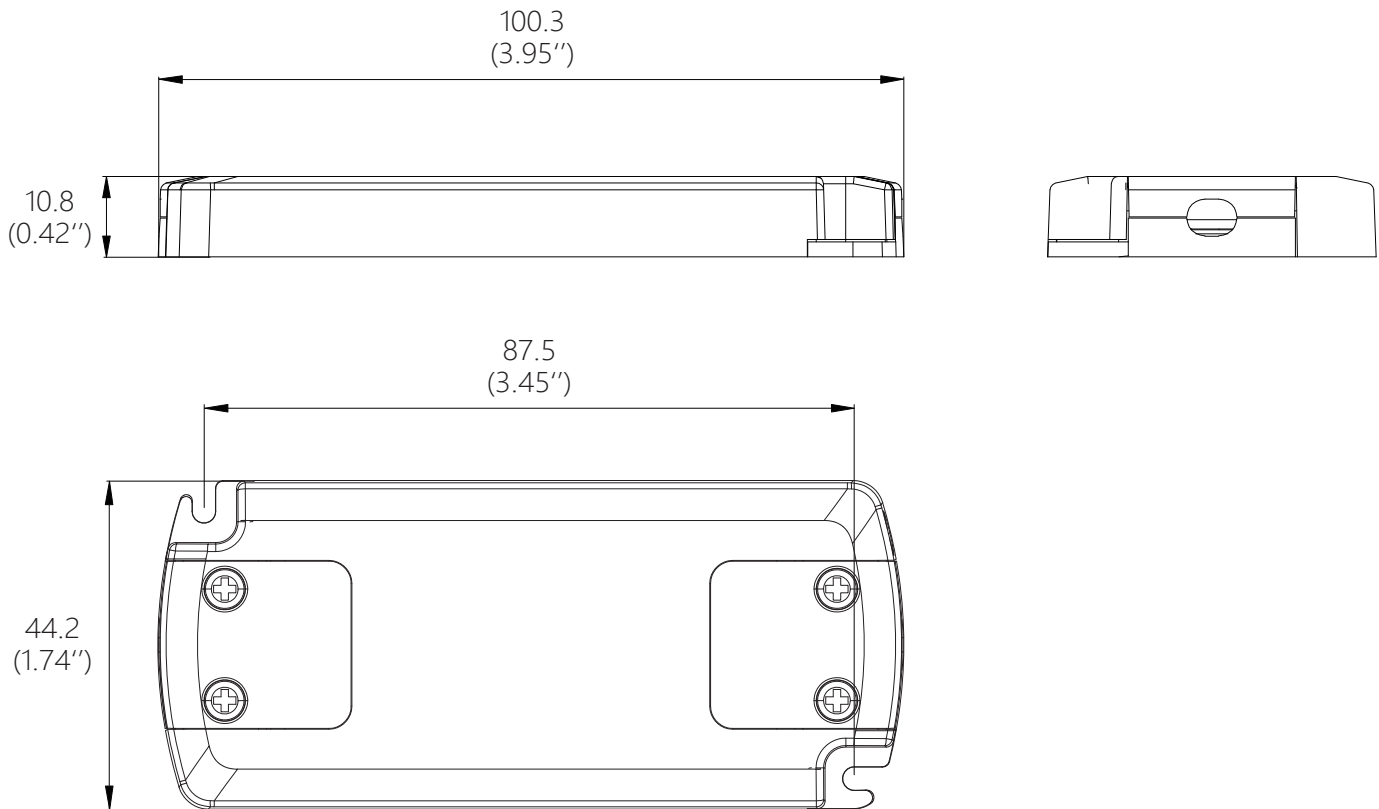
- Indoor Lighting
- Cabinet lighting
- Display lighting



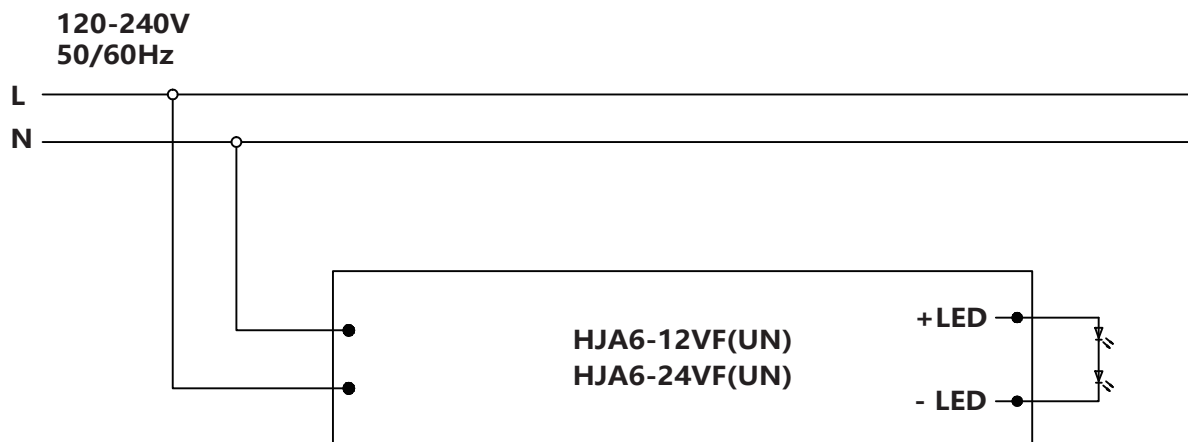
# Technical data

| Model                   |  | HJA6-12VF(UN)               |          | HJA6-24VF(UN)  |          |
|-------------------------|--|-----------------------------|----------|----------------|----------|
| <b>Input</b>            | Rated supply voltage(Vac)                                  | 120                         | 220-240  | 120            | 220-240  |
|                         | Voltage range(Vac)   | 108-132                     | 198-264  | 108-132        | 198-264  |
|                         | Line frequency(Hz)   | 60                          | 50/60    | 60             | 50/60    |
|                         | Input current(mA)  | 0.13                        | 80       | 0.13           | 80       |
|                         | Efficiency with full load                                  | 76.6%                       | 76.7%    | 78.8%          | 80.0%    |
|                         | Power factor(at 120V 60HZ,240V 50Hz,full load)             | 0.60C                       | 0.50C    | 0.60C          | 0.50C    |
|                         | Displacement factor(DF) (at 120V 60HZ,240V 50Hz,full load) | 0.85                        | 0.85     | 0.85           | 0.85     |
|                         | No load power consumption(W)                               | 0.2                         | 0.2      | 0.2            | 0.2      |
|                         | Inrush current(peak/duration)                              | 2A 200us                    | 4A 150us | 2A 200us       | 4A 150us |
| <b>Output</b>           | Turn on time(S)  | <0.5                        |          | <0.5           |          |
|                         | Output power(W)  | 6                           |          | 6              |          |
|                         | Output votage(V)   | 12                          |          | 24             |          |
|                         | Output voltage tolerance                                   | ±5%                         |          | ±5%            |          |
|                         | Ripple voltage(mV)   | 200                         |          | 130            |          |
|                         | Working current range(A)                                   | 0-0.5                       |          | 0-0.25         |          |
|                         | Output current (mA)  | 700                         |          | 350            |          |
|                         | Output current range (A)                                   | ±8%                         |          | ±8%            |          |
|                         | Ripple current(mA)   | 200                         |          | 120            |          |
|                         | Output voltage range(V)                                    | 3-8.5                       |          | 6-17           |          |
|                         | Max. output voltage(V)                                     | 13                          |          | 25             |          |
|                         | Isolation output to input                                  | SELV                        |          | SELV           |          |
|                         | Dimming interface  | N/A                         |          | N/A            |          |
|                         | Dimming range  | N/A                         |          | N/A            |          |
| <b>Protection</b>       | Over load protection                                       | Y                           |          | Y              |          |
|                         | Over temperature protection                                | Y                           |          | Y              |          |
|                         | Short circuit protection                                   | Y                           |          | Y              |          |
|                         | Open circuit protection                                    | Y                           |          | Y              |          |
|                         | Automatic restart after restore                            | Y                           |          | Y              |          |
| <b>Ambient and life</b> | Ambient temperature in normal working Ta(°C)               | -20...+45                   |          | -20...+45      |          |
|                         | Max. casing temperature Tc(°C)                             | 90                          |          | 90             |          |
|                         | Nominal life-time(hrs)                                     | 50'000@TC=80°C              |          | 50'000@TC=80°C |          |
|                         | Failure rate   | 0.1%/1000h                  |          | 0.1%/1000h     |          |
|                         | Guarantee(Years)   | 5                           |          | 5              |          |
|                         | Storage Temperature(°C)                                    | -30...+80                   |          |                |          |
|                         | Ambient humidity range                                     | 5%...85%RH , Not condensing |          |                |          |
| <b>Others</b>           | Weight(gram)   | 40                          |          |                |          |
|                         | Housing material)  | PC                          |          |                |          |
|                         | Housing colour   | White                       |          |                |          |
|                         | Waterproof rating  | IP20                        |          |                |          |

## Dimension(mm/in)



## Wiring diagram



## ■ Sales & Technical support

### **Ningbo Technic Lighting Co., Ltd.**

- Tel: 86-574-62795971 , 62795972 , 62795970
- E-mail: Sales@technic-lighting.com
- Fax: 86-574-62795975 , 62519809
- Web: [Http://www.technic-lighting.com](http://www.technic-lighting.com)
- Add: No. 8, CaiYuan Road, Lizhou Street, Yuyao, Zhejiang