

US series - Listed
Water-proof constant voltage output
0/1-10V dimmable



HJD96-24VLA(US)-L HJD96-24VLA(US)-1L

Product Description

- Input voltage: 120VAC
- Input use AC inlet for quick connection
- Input interconnect additional up to maximum 8 drivers(HJD96-24VLA(US)-1L)
- IP65 water-proof design
- Fast start-up time $\leq 0.5s$
- No load power consumption $\leq 0.5W$
- Class2 output
- Isolation 0/1-10V dimming interface with dimming range 5%-100%
- High efficiency, Up to 90%
- Open circuit, short circuit, over load and over temperature protection

Safety & EMC Standard

- UL 1310
- UL 8750
- FCC 15B

Application

- Indoor Lighting
- Cabinet and strip lighting
- Light box backlight
- Display lighting

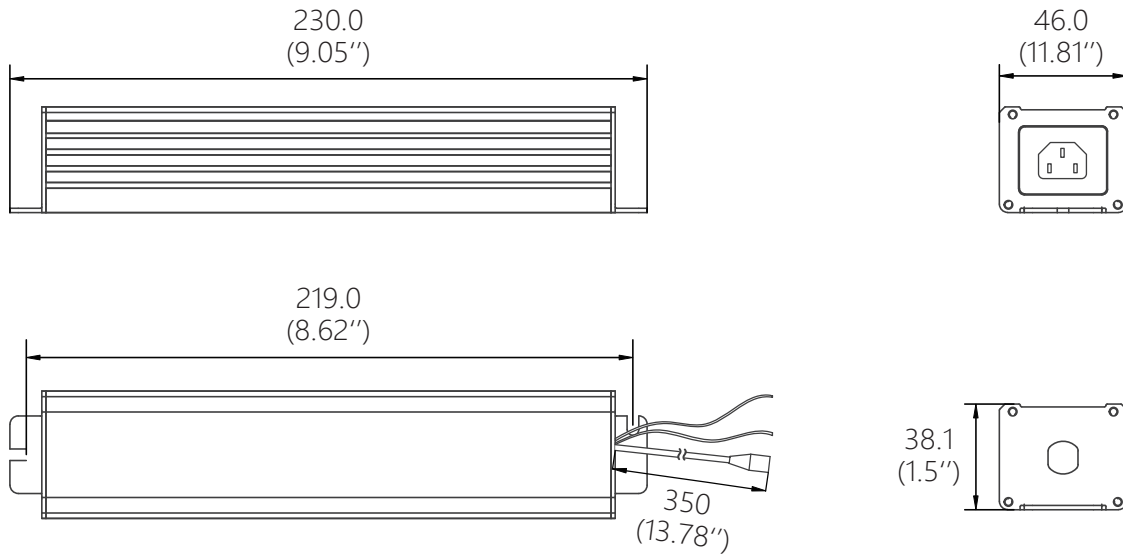


Technical data

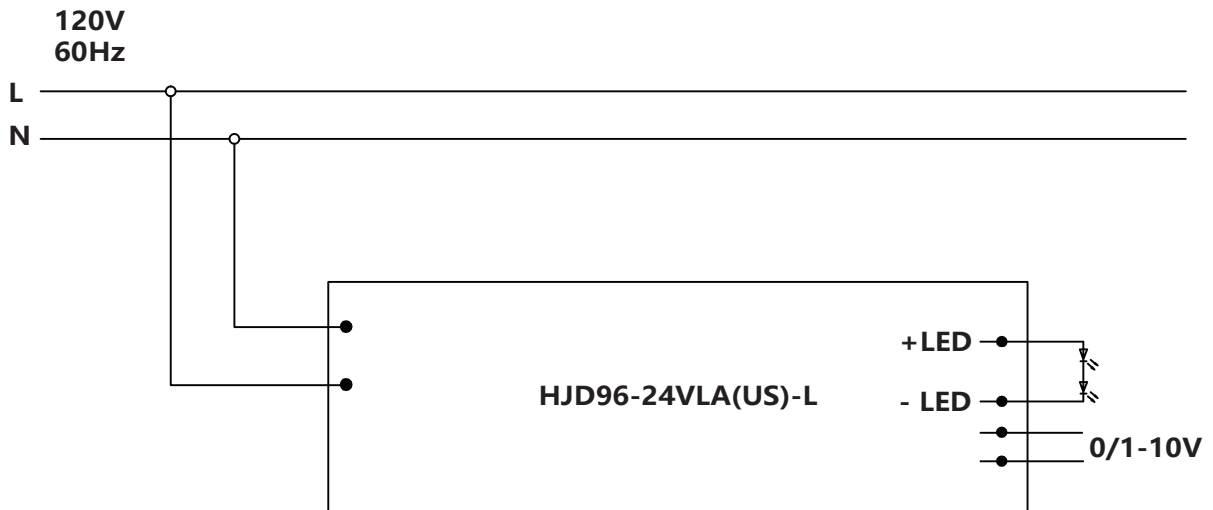
Model		HJD96-24VLA(US)-L	HJD96-24VLA(US)-1L
Input	Rated supply voltage(Vac)	120	120
	Voltage range(Vac)	108-132	108-132
	Line frequency(Hz)	60	60
	Input current(mA)	1000	1000
	Efficiency with full load	90%	90%
	Power factor(at 120V,60Hz,full load)	0.95	0.95
	Displacement factor(DF) (at 120V,60Hz,full load)	0.95	0.95
	Total harmonic distortion(at 120V,60Hz,full load)	<15%	<15%
	No load power consumption(W)	<0.5	<0.5
	Inrush current(peak/duration)	10A 3ms	10A 3ms
Output	Turn on time(S)	<0.3	<0.3
	Output power(W)	96	96
	Output voltage(V)	24	24
	Output voltage tolerance	±5%	±5%
	Ripple voltage(Vpp)(mV)	200	200
	Output current range (A)	0-4	0-4
	Max. output voltage(V)	25	25
	Dimming interface	0-10V	0-10V
	Dimming range	5%-100%	5%-100%
Protection	Over load protection	Y	Y
	Over temperature protection	Y	Y
	Short circuit protection	Y	Y
	Open circuit protection	Y	Y
	Automatic restart after restore	Y	Y
Ambient and life	Ambient temperature in normal working Ta(°C)	-20...+45	-20...+45
	Max. casing temperature Tc(°C)	85	85
	Nominal life-time(hrs)	50'000@TC=75°C	50'000@TC=75°C
	Failure rate	0.1%/1000h	0.1%/1000h
	Guarantee(Years)	5	5
	Storage Temperature(°C)	-30...+80	
	Ambient humidity range	5%...85%RH, Not condensing	
Others	Weight(gram)	700	1000
	Housing material	aluminum	
	Housing colour	metallic	
	Waterproof rating	IP65	

Dimension(mm/in)

HJD96-24VLA(US)-L

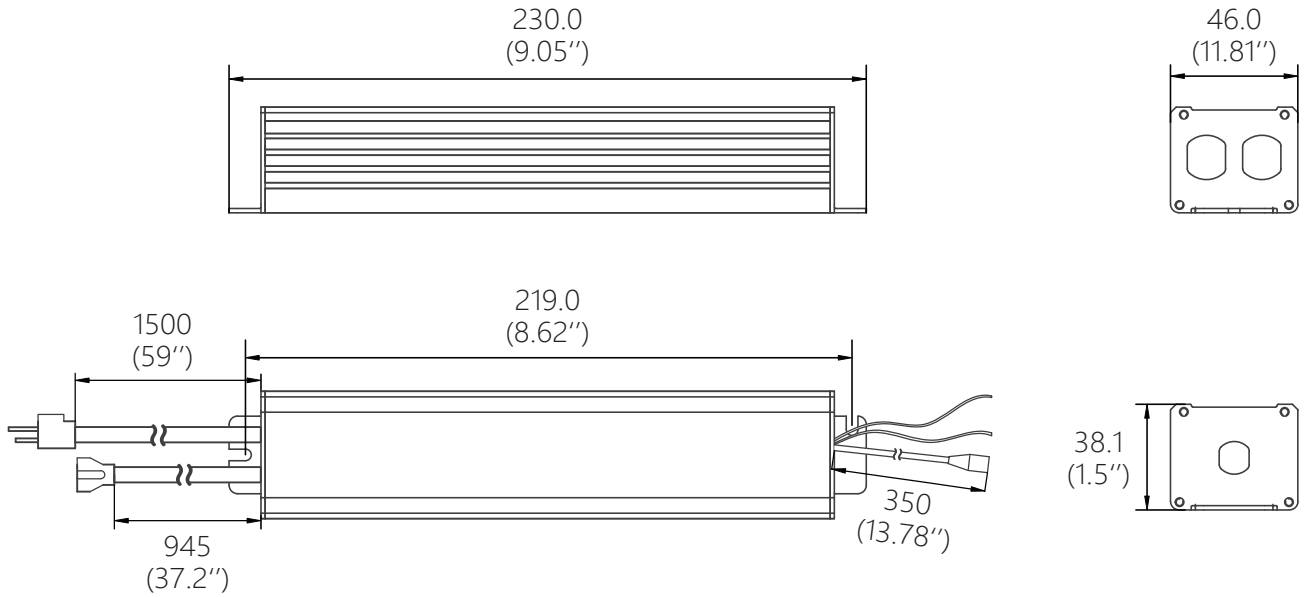


Wiring diagram

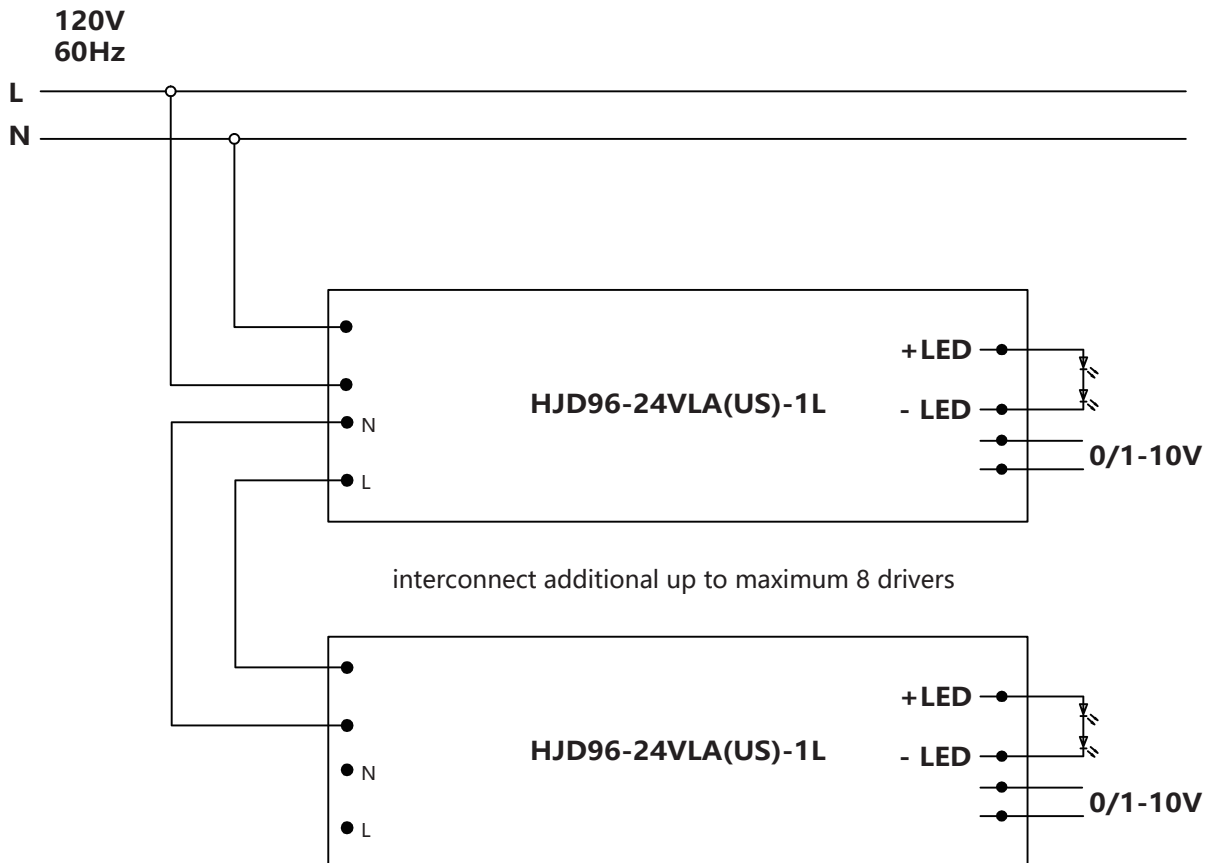


Dimension(mm/in)

HJD96-24VLA(US)-1L



Wiring diagram



■ Sales & Technical support

Ningbo Technic Lighting Co., Ltd.

- Tel: 86-574-62795971 , 62795972 , 62795970
- E-mail: Sales@technic-lighting.com
- Fax: 86-574-62795975 , 62519809
- Web: [Http://www.technic-lighting.com](http://www.technic-lighting.com)
- Add: No. 8, CaiYuan Road, Lizhou Street, Yuyao, Zhejiang