

US series - Listed
Ultrathin constant voltage output



HJA6-12VF(UN)-L HJA6-24VF(UN)-L

Product Description

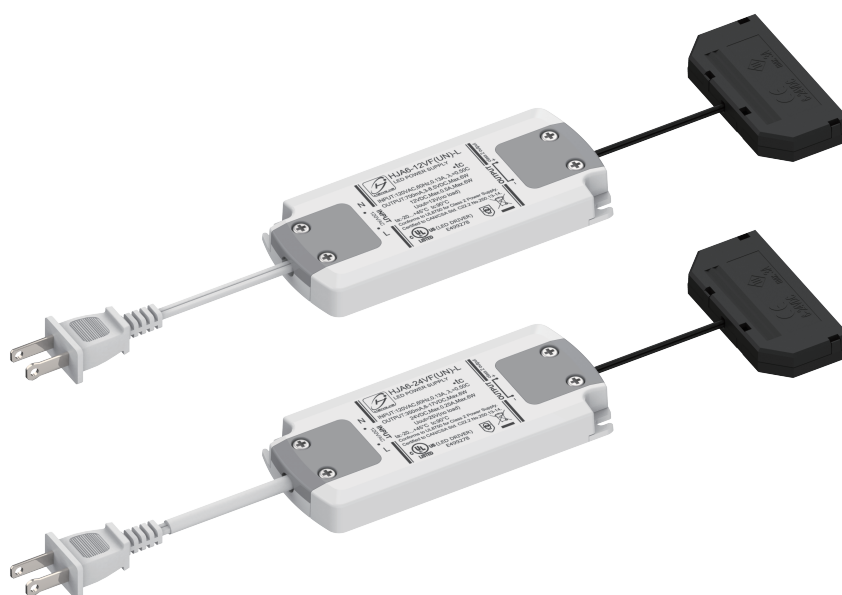
- Input voltage(120VAC)
- Independent constant voltage LED Driver
- Ultra-thin design, the height is 10.8mm
- Full protection functions with automatic recovery feature
- Fast start-up time $\leq 0.5s$
- No load power consumption $\leq 0.3W$
- Class2 output
- Multiple outputs optional
- Efficiency: 78.8% (120Vac)

Safety & EMC Standard

- UL 1310
- UL 8750
- FCC 15B

Application

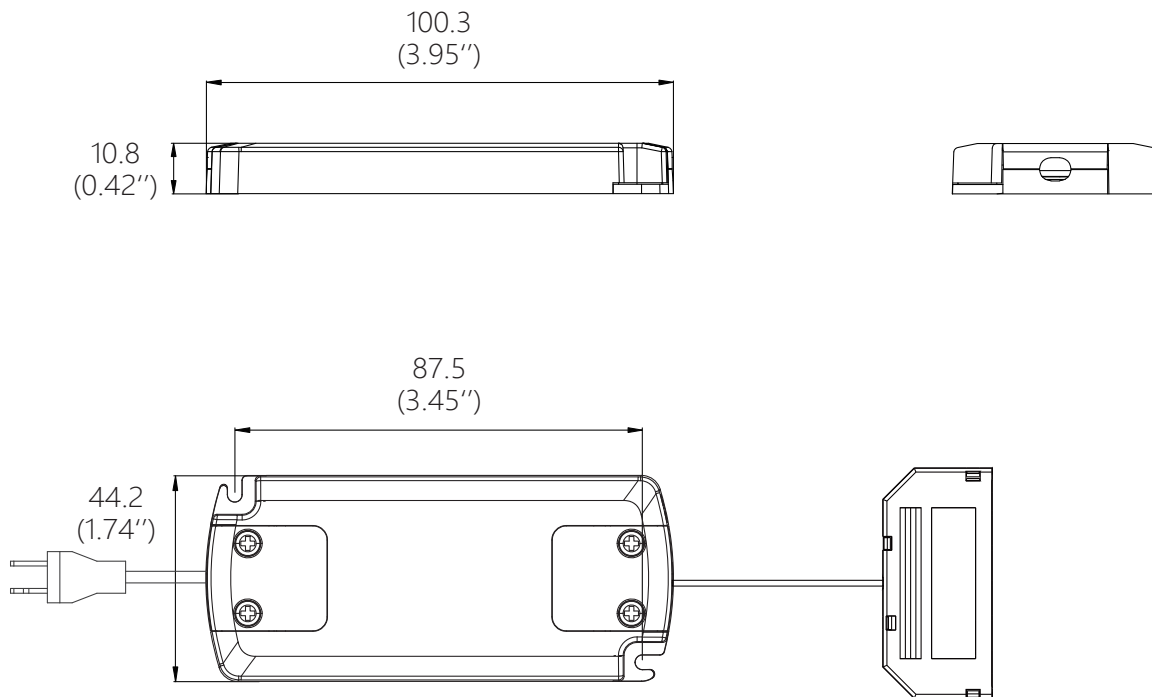
- Indoor Lighting
- Cabinet lighting
- Display lighting



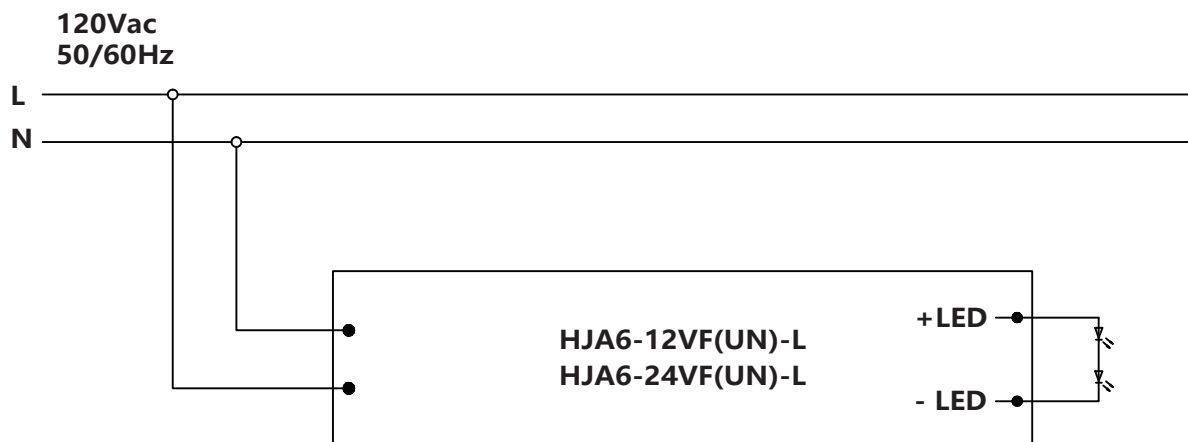
Technical data

Model		HJA6-12VF(UN)-L	HJA6-24VF(UN)-L
Input	Rated supply voltage(Vac)	120	120
	Voltage range(Vac)	108-132	108-132
	Line frequency(Hz)	50/60	50/60
	Input current(mA)	0.13	0.13
	Efficiency with full load	76.6%	78.8%
	Power factor(at 120V 60HZ,240V 50Hz,full load)	0.60C	0.60C
	Displacement factor(DF) (at 120V 60HZ,240V 50Hz,full load)	0.85	0.85
	No load power consumption(W)	0.2	0.2
	Inrush current(peak/duration)	2A 200us	2A 200us
Output	Turn on time(S)	<0.5	<0.5
	Output power(W)	6	6
	Output votage(V)	12	24
	Output voltage tolerance	±5%	±5%
	Ripple voltage(mV)	200	130
	Working current range(A)	0-0.5	0-0.25
	Output current (mA)	700	350
	Output current range (A)	±8%	±8%
	Ripple current(mA)	200	120
	Output voltage range(V)	3-8.5	6-17
	Max. output voltage(V)	13	25
	Isolation output to input	SELV	SELV
	Dimming interface	N/A	N/A
	Dimming range	N/A	N/A
Protection	Over load protection	Y	Y
	Over temperature protection	Y	Y
	Short circuit protection	Y	Y
	Open circuit protection	Y	Y
	Automatic restart after restore	Y	Y
Ambient and life	Ambient temperature in normal working Ta(°C)	-20...+45	-20...+45
	Max. casing temperature Tc(°C)	90	90
	Nominal life-time(hrs)	50'000@TC=80°C	50'000@TC=80°C
	Failure rate	0.1%/1000h	0.1%/1000h
	Guarantee(Years)	5	5
	Storage Temperature(°C)	-30...+80	
	Ambient humidity range	5%...85%RH , Not condensing	
Others	Weight(gram)	40	
	Housing material)	PC	
	Housing colour	White	
	Waterproof rating	IP20	

Dimension(mm/in)



Wiring diagram



■ Sales & Technical support

Ningbo Technic Lighting Co., Ltd.

- Tel: 86-574-62795971 , 62795972 , 62795970
- E-mail: Sales@technic-lighting.com
- Fax: 86-574-62795975 , 62519809
- Web: [Http://www.technic-lighting.com](http://www.technic-lighting.com)
- Add: No. 8, CaiYuan Road, Lizhou Street, Yuyao, Zhejiang