

## Standard series Water-proof constant voltage output



Under construction **CB** 

## HJP6-12VF HJP6-24VF

### Product Description

- Independent constant voltage LED power supply
- IP44 water-proof design
- Full protection functions with automatic recovery feature
- Fast start-up time  $\leq 0.5s$
- Protection class II, SELV output
- Efficiency: 80%
- Compliance to ERP directive: COMMISSION REGULATION (EU) 2019/2020

### Safety & EMC Standard

- EN 55015
- EN 60598-1
- EN 61000-3-2
- EN 61000-3-3
- EN 61347-1
- EN 61347-2-13
- EN 61547
- EN 62384

### Application

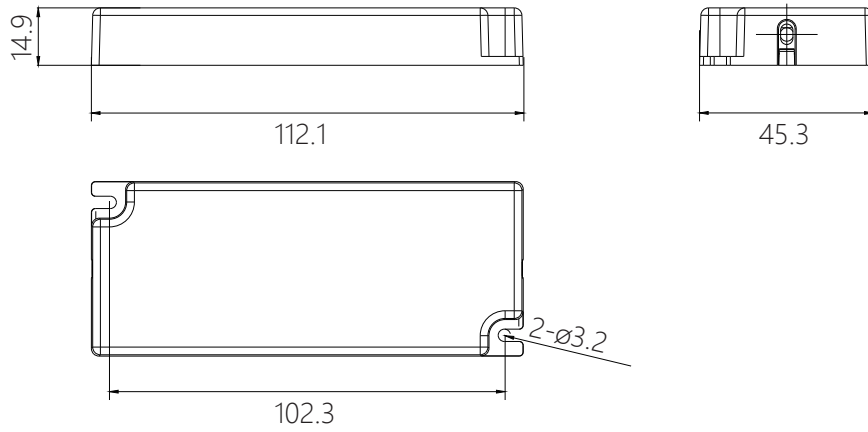
- Indoor Lighting
- Cabinet lighting
- Bathroom lighting
- Wall lamp lighting



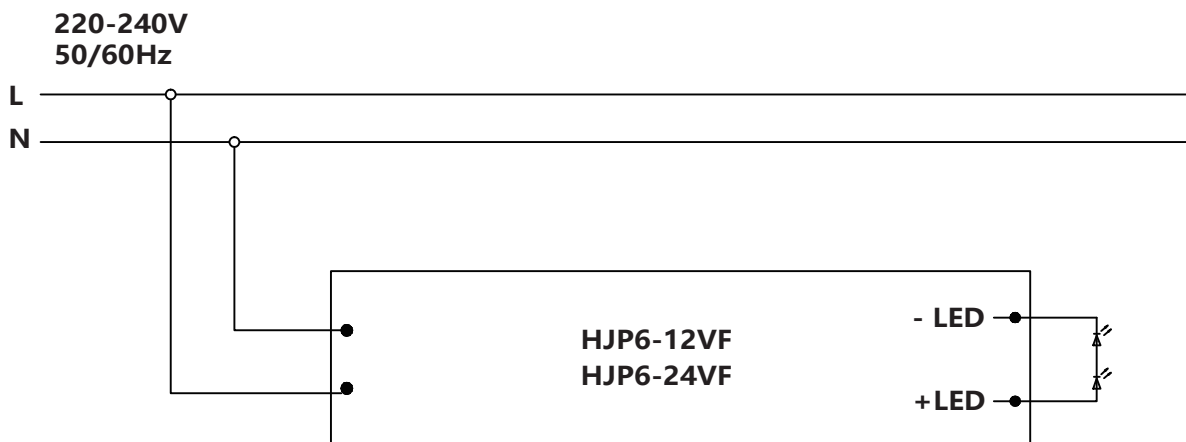
# Technical data

| Model                   |  | HJP6-12VF                   | HJP6-24VF      |
|-------------------------|--|-----------------------------|----------------|
| <b>Input</b>            | Rated supply voltage(Vac)                    | 220-240                     | 220-240        |
|                         | Voltage range(Vac)                           | 198-264                     | 198-264        |
|                         | Line frequency(Hz)                           | 50/60                       | 50/60          |
|                         | Input current(mA)                            | 80                          | 80             |
|                         | Efficiency with full load                    | 78.0%                       | 80.0%          |
|                         | Power factor(at 230V,50Hz,full load)         | 0.50C                       | 0.50C          |
|                         | Displacement factor(DF)                      | 0.85                        | 0.85           |
|                         | No load power consumption(W)                 | 0.2                         | 0.3            |
|                         | Inrush current(peak/duration)                | 4A 150us                    | 4A 150us       |
| <b>Output</b>           | Turn on time(S)                              | <0.5                        | <0.5           |
|                         | Output power(W)                              | 6                           | 6              |
|                         | Output voltage(V)                            | 12                          | 24             |
|                         | Output voltage tolerance                     | ±5%                         | ±5%            |
|                         | Ripple voltage(mV)                           | 200                         | 130            |
|                         | Working current range(A)                     | 0-0.5                       | 0-0.25         |
|                         | Output current(mA)                           | 700                         | 350            |
|                         | Output current range (A)                     | ±8%                         | ±8%            |
|                         | Ripple current(mA)                           | 200                         | 120            |
|                         | Output voltage range(V)                      | 3-8.5                       | 6-17           |
|                         | Max. output voltage(V)                       | 13                          | 25             |
|                         | Isolation output to input                    | SELV                        | SELV           |
|                         | Dimming interface                            | N/A                         | N/A            |
|                         | Dimming range                                | N/A                         | N/A            |
| <b>Protection</b>       | Over load protection                         | Y                           | Y              |
|                         | Over temperature protection                  | Y                           | Y              |
|                         | Short circuit protection                     | Y                           | Y              |
|                         | Open circuit protection                      | Y                           | Y              |
|                         | Automatic restart after restore              | Y                           | Y              |
| <b>Ambient and life</b> | Ambient temperature in normal working Ta(°C) | -20...+50                   | -20...+50      |
|                         | Max. casing temperature Tc(°C)               | 75                          | 75             |
|                         | Nominal life-time(hrs)                       | 50'000@TC=70°C              | 50'000@Tc=70°C |
|                         | Failure rate                                 | 0.1%/1000h                  | 0.1%/1000h     |
|                         | Guarantee(Years)                             | 5                           | 5              |
|                         | Storage Temperature(°C)                      | -30...+80                   |                |
|                         | Ambient humidity range                       | 5%...85%RH , Not condensing |                |
| <b>Others</b>           | Weight(gram)                                 | 71g                         |                |
|                         | Housing material)                            | PC                          |                |
|                         | Housing colour                               | White                       |                |
|                         | Waterproof rating                            | IP44                        |                |

## Dimension(mm)



## Wiring diagram



## ■ Sales & Technical support

### **Ningbo Technic Lighting Co., Ltd.**

- Tel: 86-574-62795971 , 62795972 , 62795970
- E-mail: Sales@technic-lighting.com
- Fax: 86-574-62795975 , 62519809
- Web: [Http://www.technic-lighting.com](http://www.technic-lighting.com)
- Add: No. 8, CaiYuan Road, Lizhou Street, Yuyao, Zhejiang