

## Standard series Ultrathin constant voltage output



## HJA30-12VF-1    HJA30-24VF-1

### Product Description

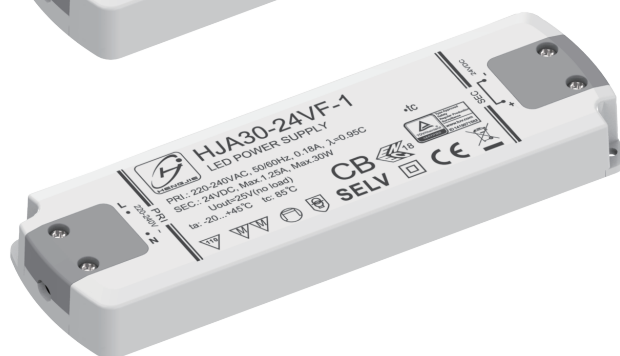
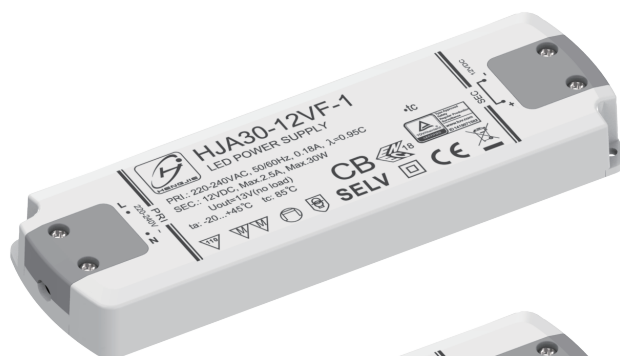
- Independent constant voltage LED power supply
- Terminal block for quick connection
- Driver can be secured with slot for screws
- Ultra-thin design, the height is 17.5mm
- Full protection functions with automatic recovery feature
- Fast start-up time  $\leq 0.5s$
- Protection class II, SELV output
- Efficiency: 85%
- Compliance to ERP directive: COMMISSION REGULATION (EU) 2019/2020

### Safety & EMC Standard

- EN 55015
- EN 60598-1
- EN 61000-3-2
- EN 61000-3-3
- EN 61347-1
- EN 61347-2-13
- EN 61547
- EN 62384

### Application

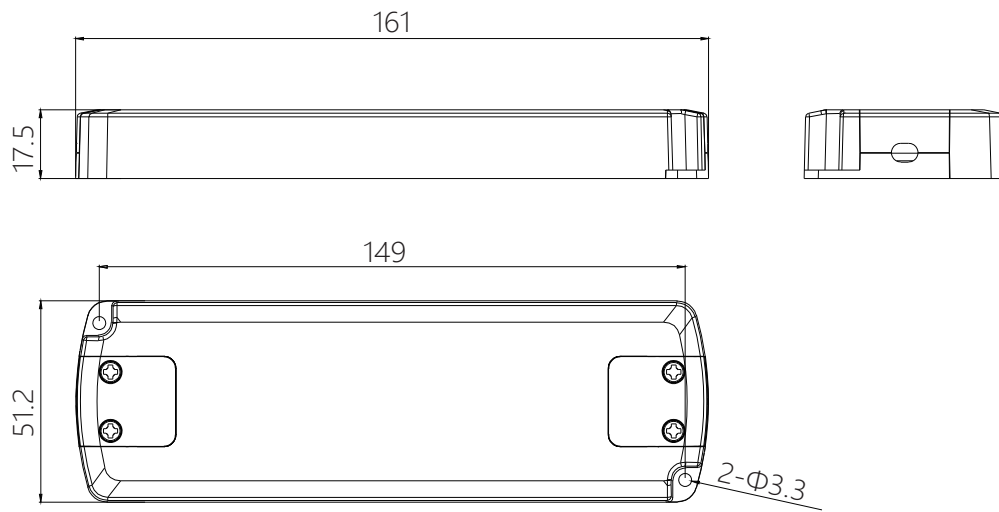
- Indoor Lighting
- Cabinet lighting
- Display lighting



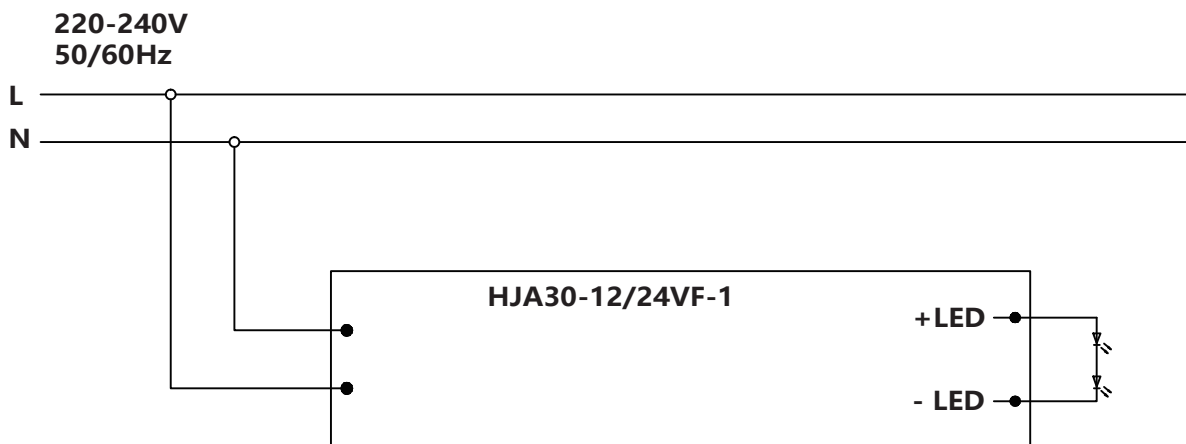
# Technical data

Model		HJA30-12VF-1	HJA30-24VF-1
<b>Input</b>	Rated supply voltage(Vac)	220-240	220-240
	Voltage range(Vac)	198-264	198-264
	Line frequency(Hz)	50/60	50/60
	Input current(mA)	180	180
	Efficiency with full load	83.5%	85%
	Power factor(at 230V,50Hz,full load)	0.95	0.95
	Displacement factor(DF) (at 230V,50Hz,full load)	0.95	0.95
	Total harmonic distortion (at 230V,50Hz,full load)	<20%	<20%
	No load power consumption(W)	<0.5	<0.5
	Inrush current(peak/duration)	7.2A 550us	7.2A 550us
<b>Output</b>	Turn on time(S)	<0.5	<0.5
	Output power(W)	30	30
	Output votage(V)	12	24
	Output voltage tolerance	±5%	±5%
	Ripple voltage(mV)	450	450
	Output current range(A)	0-2.5	0-1.25
	Max. output voltage(V)	13	25
	Isolation output to input	SELV	SELV
	Dimming interface	N/A	N/A
	Dimming range	N/A	N/A
<b>Protection</b>	Over load protection	Y	Y
	Over temperature protection	Y	Y
	Short circuit protection	Y	Y
	Open circuit protection	Y	Y
	Automatic restart after restore	Y	Y
<b>Ambient and life</b>	Ambient temperature in normal working Ta(°C)	-20...+45	-20...+45
	Max. casing temperature Tc(°C)	85	85
	Nominal life-time(hrs)	50'000@TC=80°C	50'000@TC=80°C
	Failure rate	0.1%/1000h	0.1%/1000h
	Guarantee(Years)	5	5
	Storage Temperature(°C)	-30...+80°C	
	Ambient humidity range	5%...85%RH , Not condensing	
<b>Others</b>	Weight(gram)	140	
	Housing material	PC	
	Housing colour	White	
	Waterproof rating	IP20	

## ■ Dimension(mm)



## ■ Wiring diagram



## ■ Sales & Technical support

### **Ningbo Technic Lighting Co., Ltd.**

- Tel: 86-574-62795971 , 62795972 , 62795970
- E-mail: Sales@technic-lighting.com
- Fax: 86-574-62795975 , 62519809
- Web: [Http://www.technic-lighting.com](http://www.technic-lighting.com)
- Add: No. 8, CaiYuan Road, Lizhou Street, Yuyao, Zhejiang