

Standard series Ultrathin constant voltage output



HJA15-12VF-1 HJA15-24VF-1

Product Description

- Independent constant voltage LED power supply
- Mini DC socket at the secondary side for quick connection
- Terminal block for quick connection
- Driver can be secured with slot for screws
- Ultra-thin design, the height is 12.8mm
- Full protection functions with automatic recovery feature
- Fast start-up time $\leq 0.5s$
- Protection class II, SELV output
- Efficiency: 87.5%
- Compliance to ERP directive: COMMISSION REGULATION (EU) 2019/2020

Safety & EMC Standard

- EN 55015
- EN 60598-1
- EN 61000-3-2
- EN 61000-3-3
- EN 61347-1
- EN 61347-2-13
- EN 61547
- EN 62384

Application

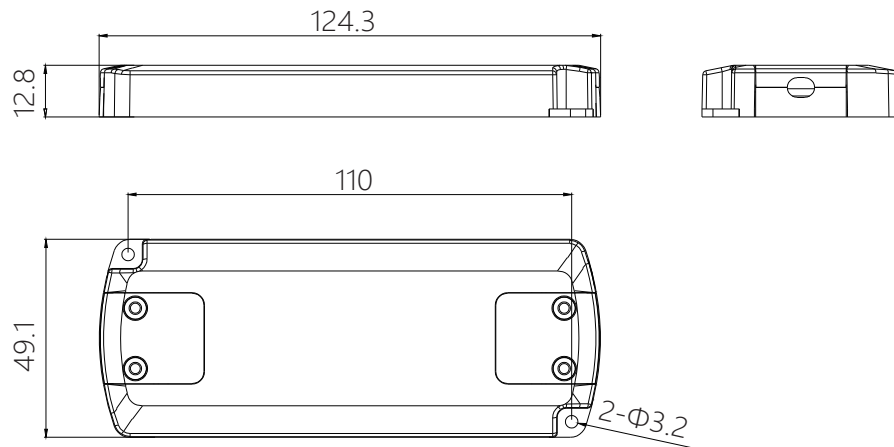
- Indoor Lighting
- Cabinet lighting
- Display lighting



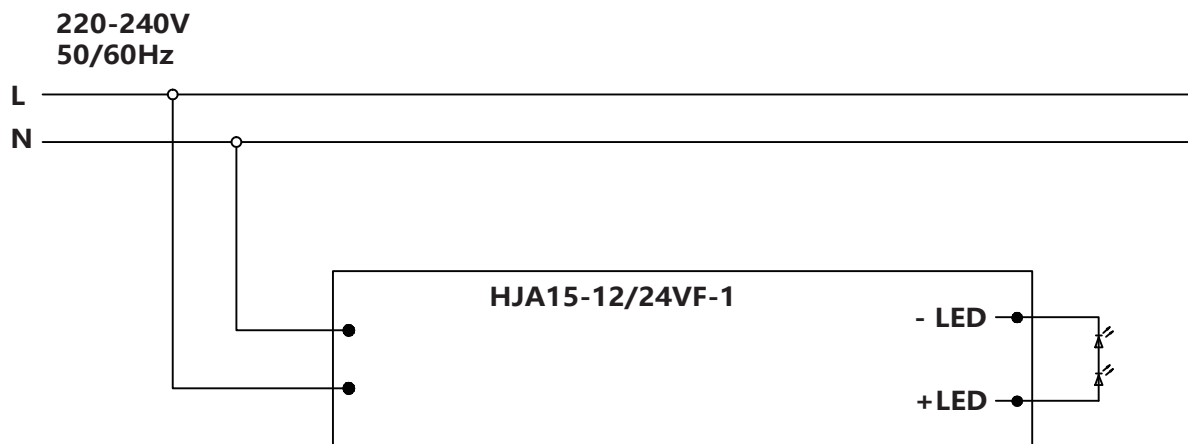
Technical data

Model		HJA15-12VF-1	HJA15-24VF-1
Input	Rated supply voltage(Vac)	220-240	220-240
	Voltage range(Vac)	198-264	198-264
	Line frequency(Hz)	50/60	50/60
	Input current(mA)	180	180
	Efficiency with full load	83.3%	87.5%
	Power factor(at 230V,50Hz,full load)	0.50C	0.50C
	Displacement factor(DF) (at 230V,50Hz,full load)	0.85	0.85
	No load power consumption(W)	<0.5	<0.5
	Inrush current(peak/duration)	15A 100us	20A 100us
Output	Turn on time(S)	<0.5	<0.5
	Output power(W)	15	15
	Output voltage(V)	12	24
	Output voltage tolerance	±5%	±5%
	Ripple voltage(mV)	100	200
	Output current range(A)	0-1.25	0-0.625
	Max. output voltage(V)	13	25
	Isolation output to input	SELV	SELV
	Dimming interface	N/A	N/A
	Dimming range	N/A	N/A
Protection	Over load protection	Y	Y
	Over temperature protection	Y	Y
	Short circuit protection	Y	Y
	Open circuit protection	Y	Y
	Automatic restart after restore	Y	Y
Ambient and life	Ambient temperature in normal working Ta(°C)	-20...+45	-20...+45
	Max. casing temperature Tc(°C)	80	80
	Nominal life-time(hrs)	50'000@TC=75°C	50'000@TC=75°C
	Failure rate	0.1%/1000h	0.1%/1000h
	Guarantee(Years)	5	5
	Storage Temperature(°C)	-30...+80°C	
	Ambient humidity range	5%...85%RH , Not condensing	
Others	Weight(gram)	60	
	Housing material	PC	
	Housing colour	White	
	Waterproof rating	IP20	

Dimension(mm)



Wiring diagram



■ Sales & Technical support

Ningbo Technic Lighting Co., Ltd.

- Tel: 86-574-62795971 , 62795972 , 62795970
- E-mail: Sales@technic-lighting.com
- Fax: 86-574-62795975 , 62519809
- Web: [Http://www.technic-lighting.com](http://www.technic-lighting.com)
- Add: No. 8, CaiYuan Road, Lizhou Street, Yuyao, Zhejiang