



TTC TRACK
LED Jewellery Light

FEATURES

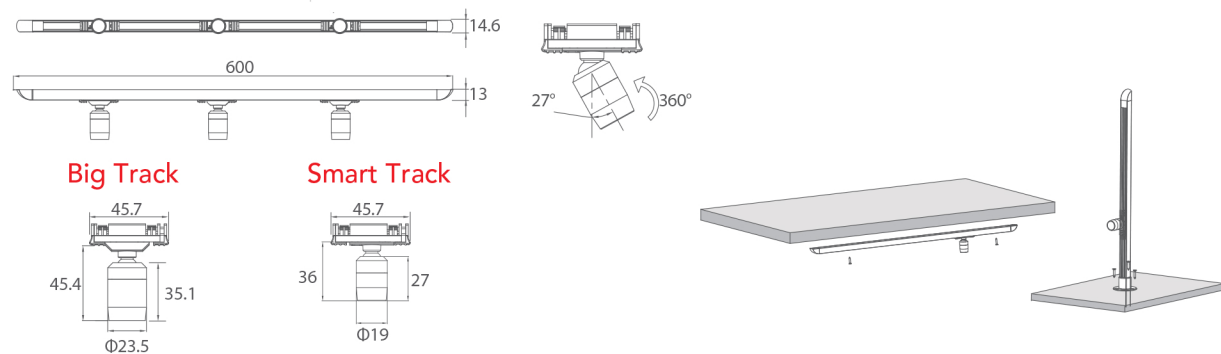
- Lamp direction, QTY and position adjustable.
- The length can be customized.
- CRI ≥80, restore the color of the irradiated object.
- Soft light, no dazzle.
- Small size for cabinet, showcase.
- Easily surface mounting by screws.



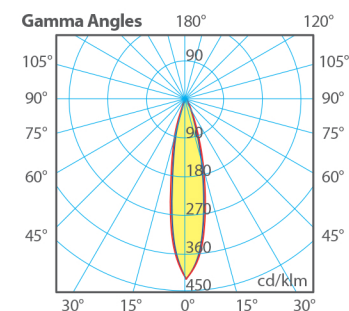
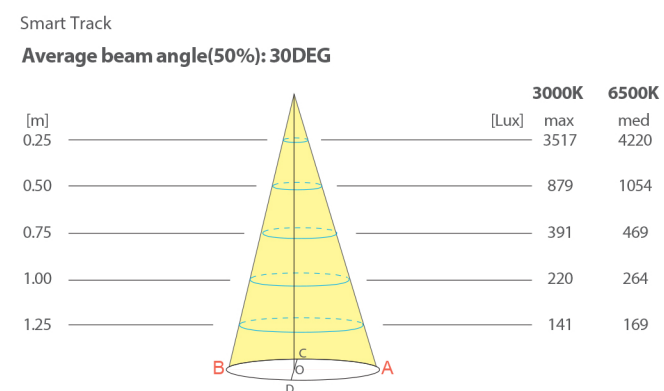
Technic Data

ITEM CODE	DIMENSION(MM)	INPUT VOLTAGE(V)	POWER(W)	Number of LEDs	LUMEN OUTPUT(LM)	CRI	COLOR TEMPERATURE(K)	IP
992504100	600×14.6×13	12	3W × n	n SMD 3535	200 × n	≥80	3000	20
992504101							6500	20
992204101	600×14.6×13	12	1.2W × n	n SMD 3030	55 × n	≥80	3000	20
992204102							65 × n	6500
Lamp	Lamp direction adjustable by 360°;The length can be customized; Lamp QTY and position adjustable							
Light Tone	2700K-6500K optional							
Finish	Painting(White/Black/Silver etc...);Chrome							

Size & Assembly



Spectrum Map & Light Distribution Curve



Item Code Illustration Specification

992504100 992204101		<ul style="list-style-type: none"> ▪ Vertical installation version ▪ Supply cable 1.8m with plug
992504101 992204102		<ul style="list-style-type: none"> ▪ Horizontal installation version ▪ Supply cable 1.8m with plug
Lamp head		<ul style="list-style-type: none"> ▪ Regardless of polarity
Accessory		<ul style="list-style-type: none"> ▪ Fastening screws 3×12
Power		<ul style="list-style-type: none"> ▪ HJA20-12VF (12V-20W) ▪ Mains cable 1.5m with Euro plug ▪ With 6-way distributor

Combination Chart

