

FEATURES

- Electrical supply track system used for shelf, cabinet, display.
- Multiple installation method and angle.
- Small size fit for narrow space.
- Conceal installation.
- Connectable electrical supply track system.



TTC MINI SLIDE
Electrical Supply Track System



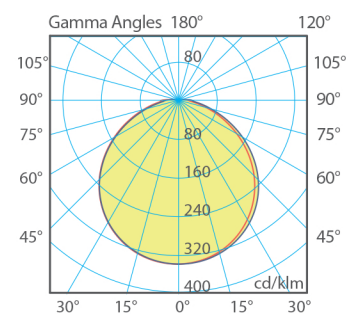
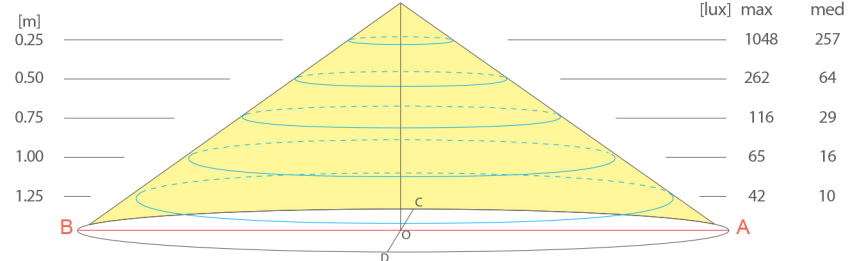
Technic Data

ITEM CODE	DIMENSION(MM)	Max. Length	INPUT VOLTAGE(V)	POWER(W)	EFFICIENCY	CONTROL	CRI	COLOR TEMPERATURE(K)	IP
992204103	Lx10.9x10.2	3m	12/24V DC	Depend on the light quantity	120lm/w	N/A	≥90	3000	20
Light Tone	2700K-6500K optional								
Finish	Painting(white, silver, black, etc...)								
Length is optional									

Spectrum Map & Light Distribution Curve

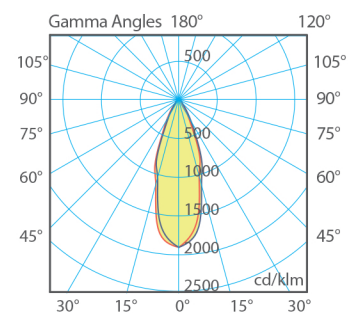
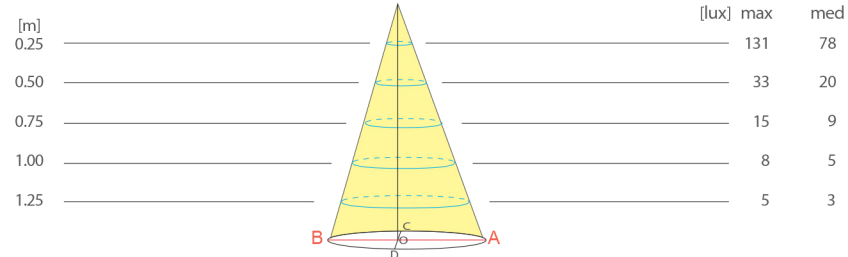
Strip light
Length: 300mm

Average beam angle(50%): 113DEG

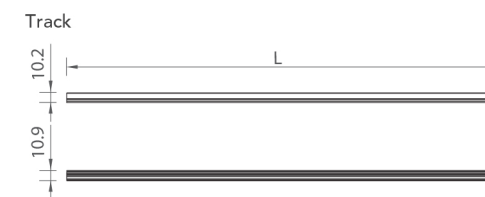


Spot light

Average beam angle(50%): 35DEG



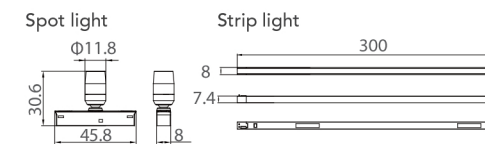
Size & Assembly



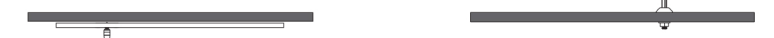
- 1 45 degree installation - invisible (Installation method: Clips or 3M tape)
- 2 90 degree installation - invisible (Installation method: PC clips)



The above two methods both fit for display cabinet and showcase.



- 3 Surface mounted installation (Installation method: Clips or 3M tape)
- 4 Vertical installation



Product Details



MULTIPLE USE

Both spot light and strip light could available
Max. Length 3m