



**FEATURES**

- LED load power: Max.60W@12V / Max.120W@24V
- Door switch function&Wave control function.
- High efficiency.
- Optional choice: Used with our Mini\_IR Sensor or IR Sensor.



**NEW**  
**IR Sensor Switch**

**Technic Data**

ITEM CODE	DIMENSION(MM)	Rated Power	Input Voltage	Rated Current	Standby Power
HJK120-24VGI	84x35x19	60W	12V	5A	≤0.5W
		120W	24V		

When open the door, light turn on; when close the door, light turn off

Wave hand first time, switch light on; wave hand second time, switch light off; wave hand third time, switch light on again (and so on...)

In the application of door switch, when the door remains open, the switch will turn off light automatically after 20mins.Open/close the door again to restore settings.

**Accessories**

- Recessed mounting sensor
- Surface mounting sensor

**Size & Assembly**

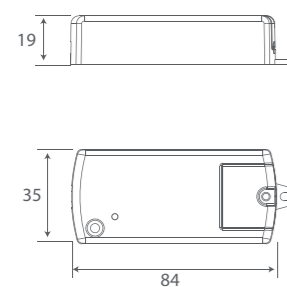


ILLUSTRATION	DIMENSIONS(MM)	Hole Opening Diameter	Range
 Mini_IR Sensor		Φ10	5-10CM
 IR Sensor		Φ14	5-10CM

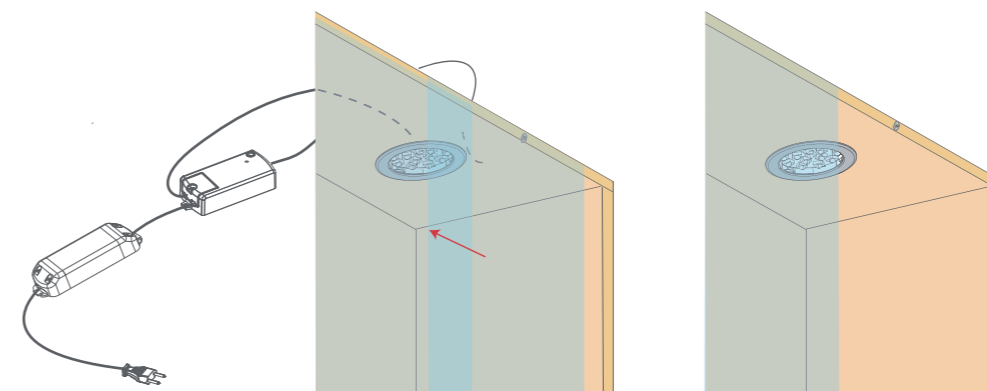


**Function**

**Door switch function:**

① Lights are switched off

② Lights are switched on



**Wave control function:**

① Light is switched off

② Light is switched on

③ Light is switched off

