

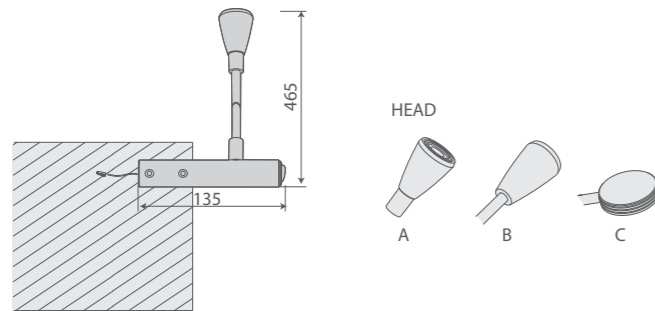
FLP Popular



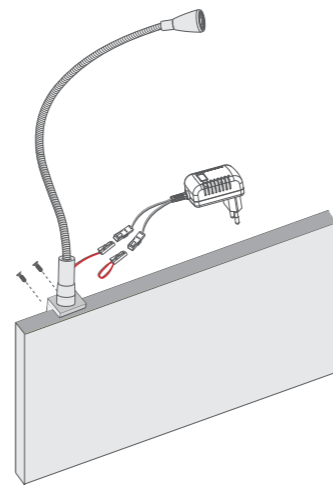
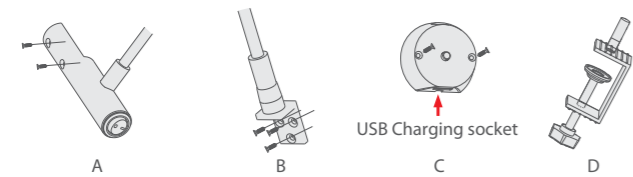
Technic Data

ITEM CODE	DIMENSION(MM)	CONSTANT CURRENT	POWER(W)	LUMEN OUTPUT(LM)	Number of LEDES	CRI	COLOR TEMPERATURE(K)	IP
992602701	465xΦ30	350mA	1	150	1x1W POWER	≥80	3000	20
				170			6000	
Light Tone	2700K-6500K optional							
1 light with 1.8m lead and mounting accessories								

Size & Assembly

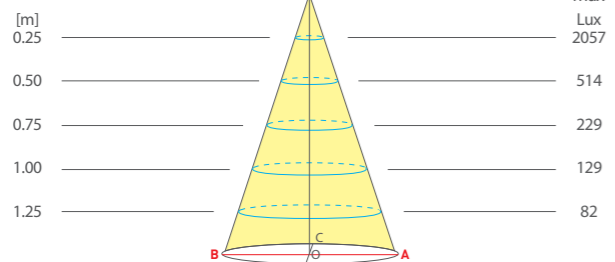


Assembly



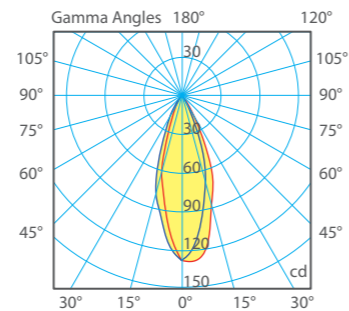
Spectrum Map & Light Distribution Curve

Average beam angle(50%): 30DEG



3000K

max Lux
2057
514
229
129
82



992602701

992602702

992602604



HJ-LED-220



HJ-LED-210



HJ-LED-103

Item Code

Illustration

Specification

992602701



- Supply cable 1.8m
- End with LED mini Connector

Accessory



- Fastening screws ST4x20

Accessory



- Short-circuit terminal
- Work with series connectd distribution box

Power



- HJ-BYQ-632(350mA-3W)
- Mains cable 1.5m with Euro plug
- With 3-way distributor