



FLS POWER
LED Reading Light

FEATURES

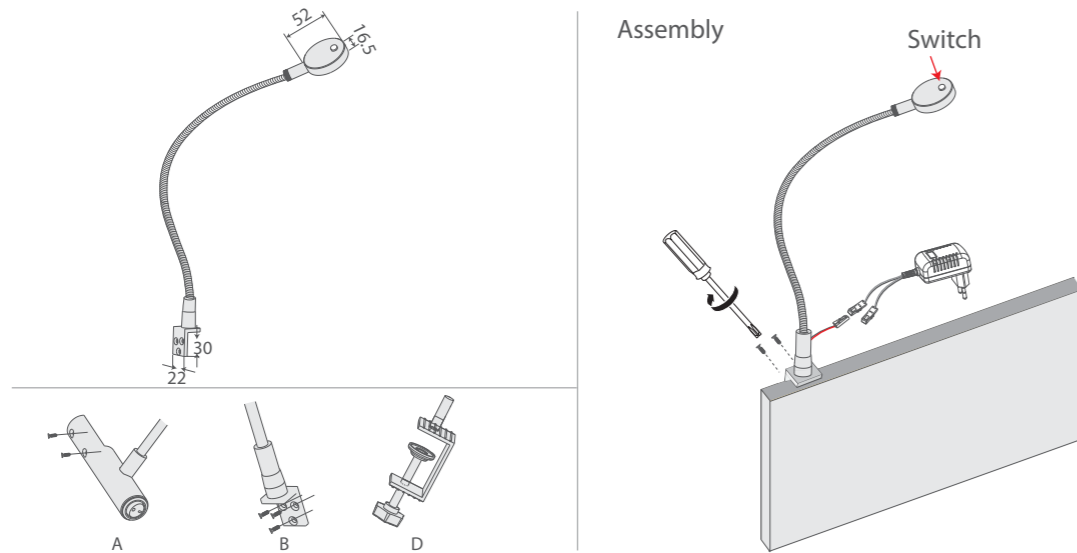
- Special small dimension design with 3W power.
- With built-in on/off switch.
- Noiseless flexible arm.
- Stainless steel finishing.
- Optional mounting fixtures.



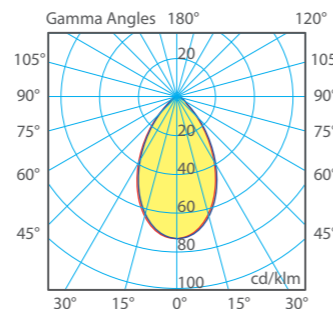
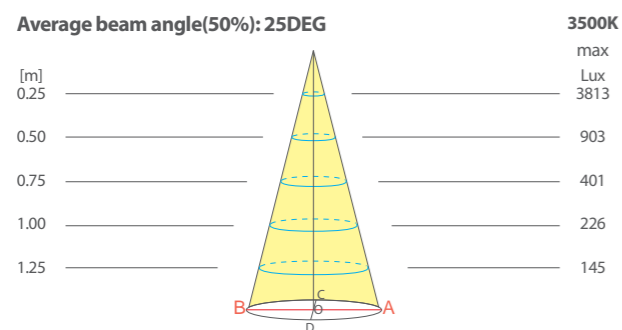
Technic Data

ITEM CODE	Surface Color	CONSTANT CURRENT	POWER(W)	LUMEN OUTPUT(LM)	Number of LEDES	CRI	COLOR TEMPERATURE(K)	IP
902602603	Paint/Plate	700mA	3	240	3W Power LED	≥80	3000	20
Light Tone	2700K-6500K optional							
Finish	Chrome/painting							
Build-in touch sensor on head								

Size & Assembly



Spectrum Map & Light Distribution Curve



Item Code

Illustration

Specification

902602603



- Supply cable 1.8m
- End with LED mini Connector

Accessory



- Fastening screws ST4x20

Accessory



- Short-circuit terminal
- Work with series connectd distribution box

Power



- HJA7-700IGW(700mA-7W)
- With 3-way distributor

Combination Chart

